

# Service manual

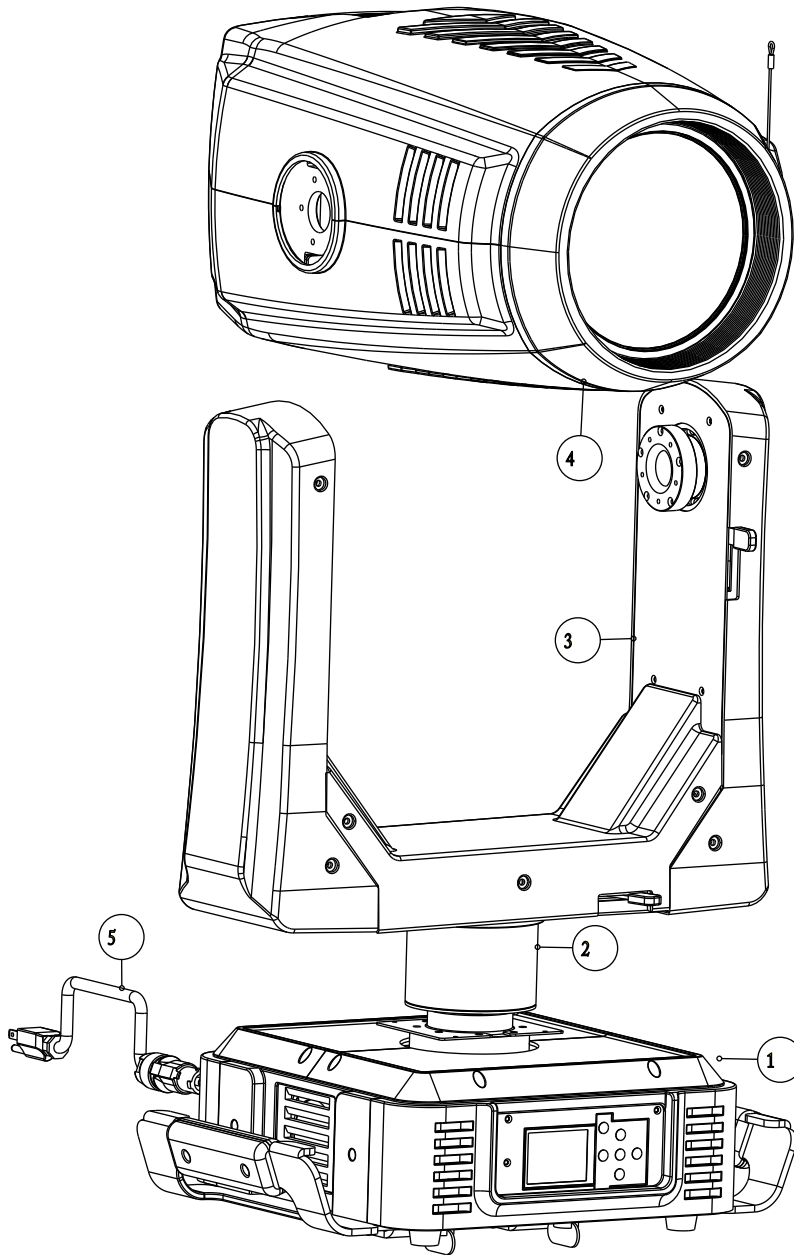
## EDGE

- ※ Exploded Diagrams
- ※ Circuit Diagrams
- ※ Wiring Diagrams
- ※ Parts List

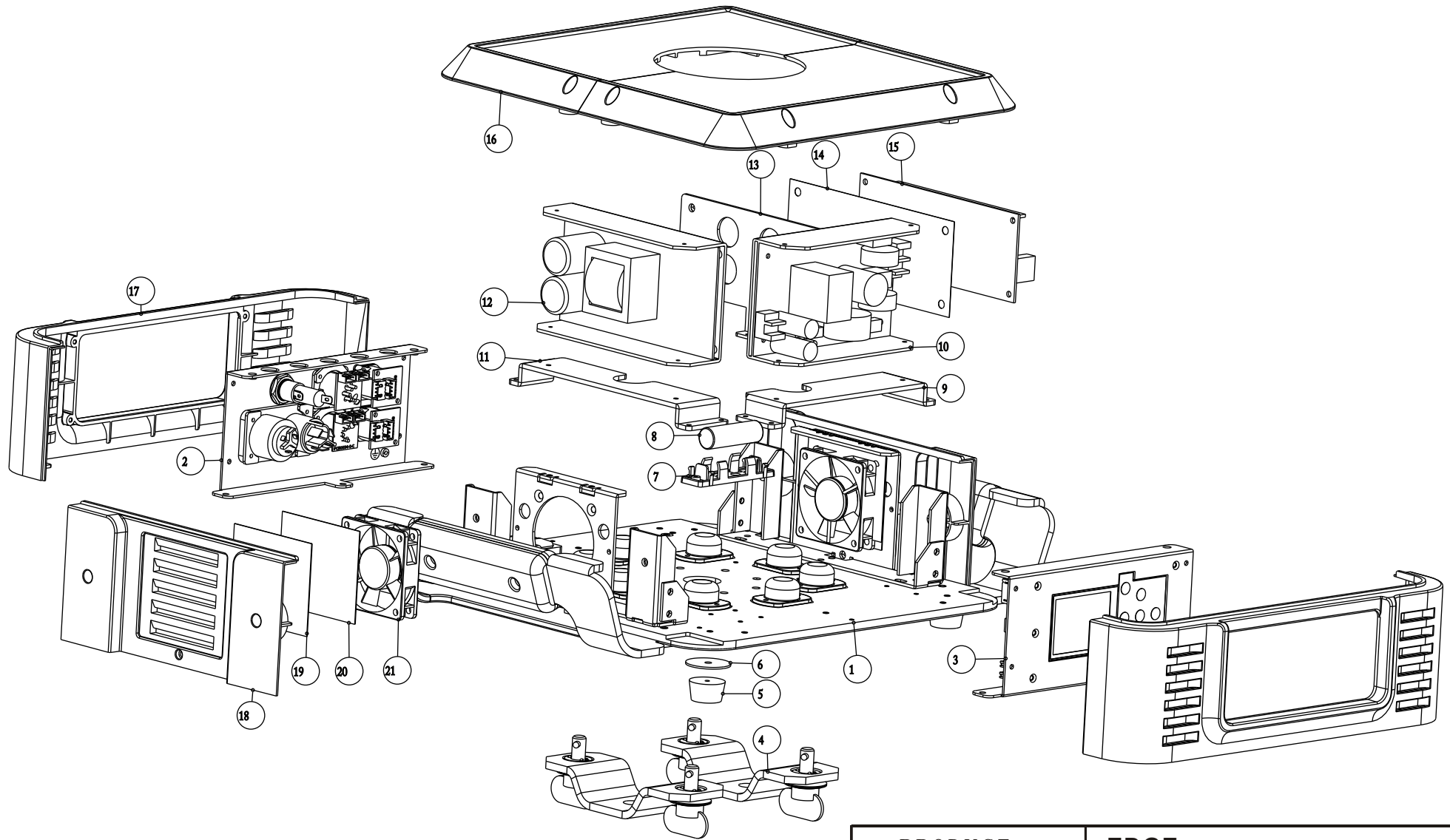


PRODUCT		EDGE	
PIC. NO.		Front Page	Series No. SO201906570001--0200
EDIT		FILE NO.	HY-EXP-1721A
CHECK		ORDER NO.	So20190657
APPROVE		VERSION	V206_004

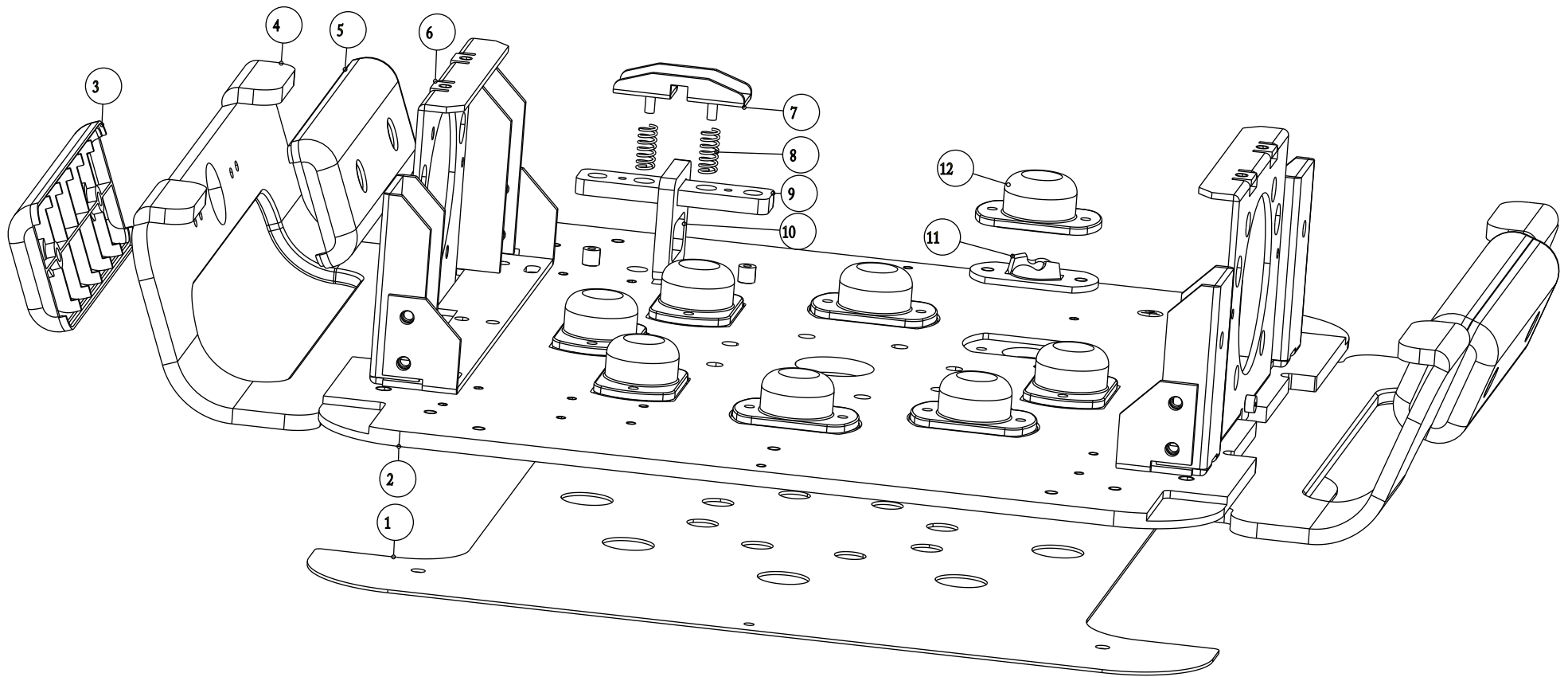
备注：爆炸图仅供参考，更改恕不另行通知，具体以实物为准，本公司保留最终解释权。



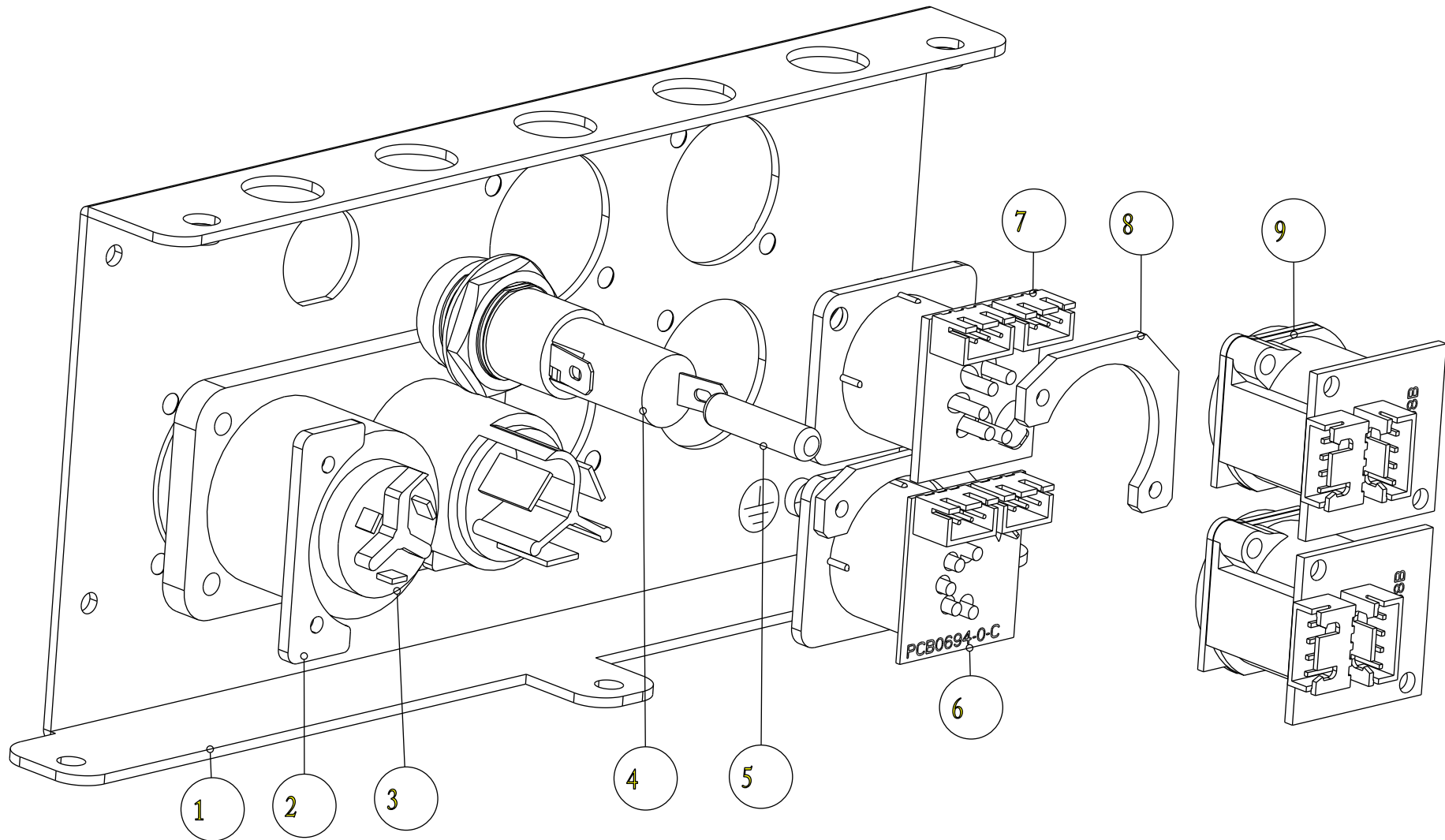
PRODUCT		EDGE			
PIC. NO.		33-0002-00-00-00			
EDIT		FILE NO.	HY-EXP-1721A	PAGE NO.	01/32
CHECK		VERSION	V206_004	DATE	2019.05.31
APPROVE		ECN NO.		DATE	



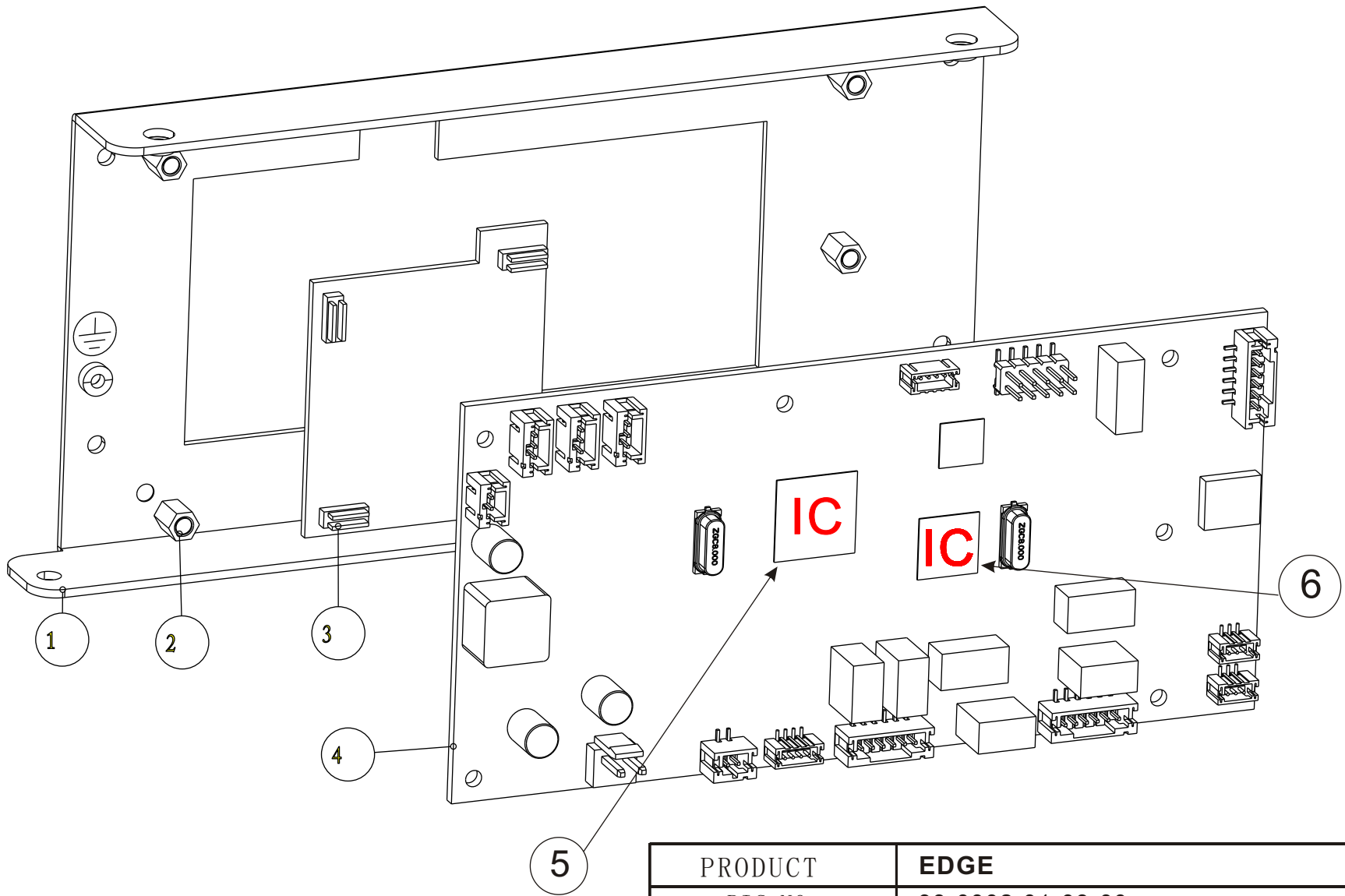
PRODUCT		EDGE			
PIC. NO.		33-0002-01-00-00			
EDIT		FILE NO.	HY-EXP-1721A	PAGE NO.	02/32
CHECK		VERSION	V206_004	DATE	2019. 05. 31
APPROVE		ECN NO.		DATE	



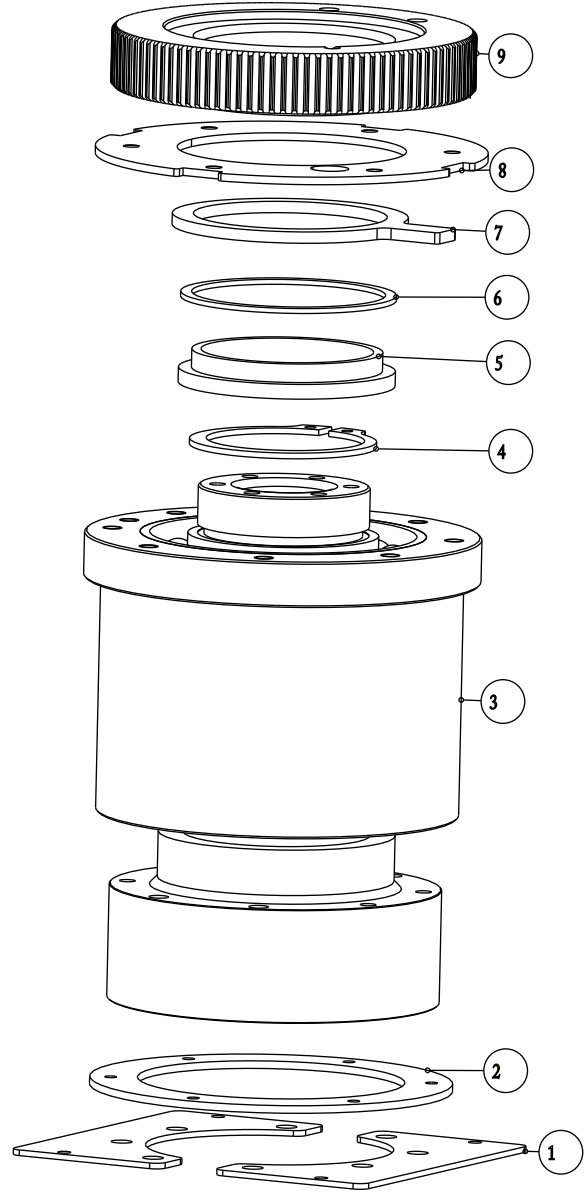
PRODUCT		EDGE			
PIC. NO.		33-0002-01-01-00			
EDIT		FILE NO.	HY-EXP-1721A	PAGE NO.	03/32
CHECK		VERSION	V206_004	DATE	2019.05.31
APPROVE		ECN NO.		DATE	



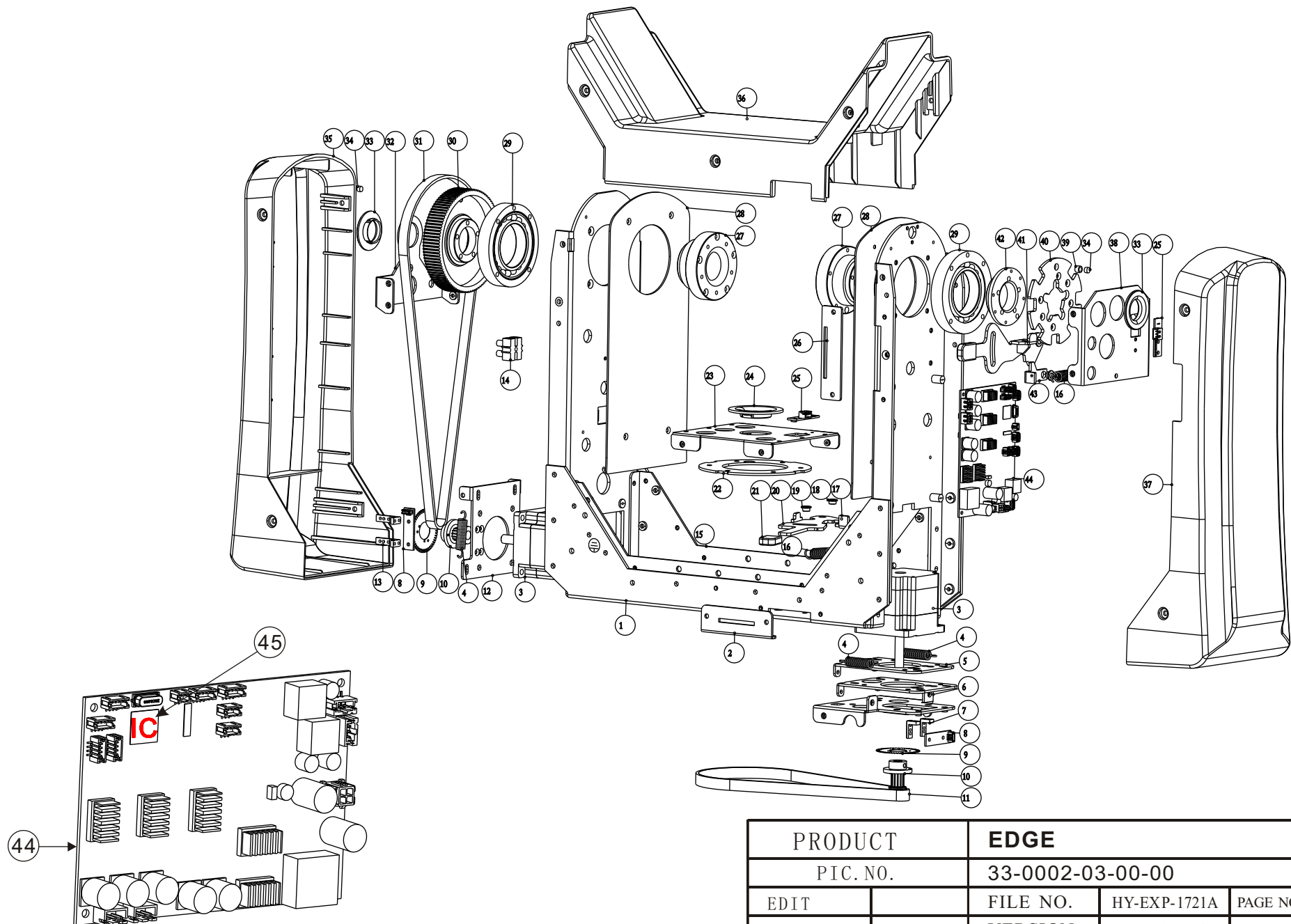
PRODUCT		EDGE			
PIC. NO.		33-0002-01-02-00			
EDIT		FILE NO.	HY-EXP-1721A	PAGE NO.	04/32
CHECK		VERSION	V206_004	DATE	2019.05.31
APPROVE		ECN NO.		DATE	



PRODUCT		EDGE			
PIC. NO.		33-0002-01-03-00			
EDIT		FILE NO.	HY-EXP-1721A	PAGE NO.	05/32
CHECK		VERSION	V206_004	DATE	2019. 05. 31
APPROVE		ECN NO.		DATE	

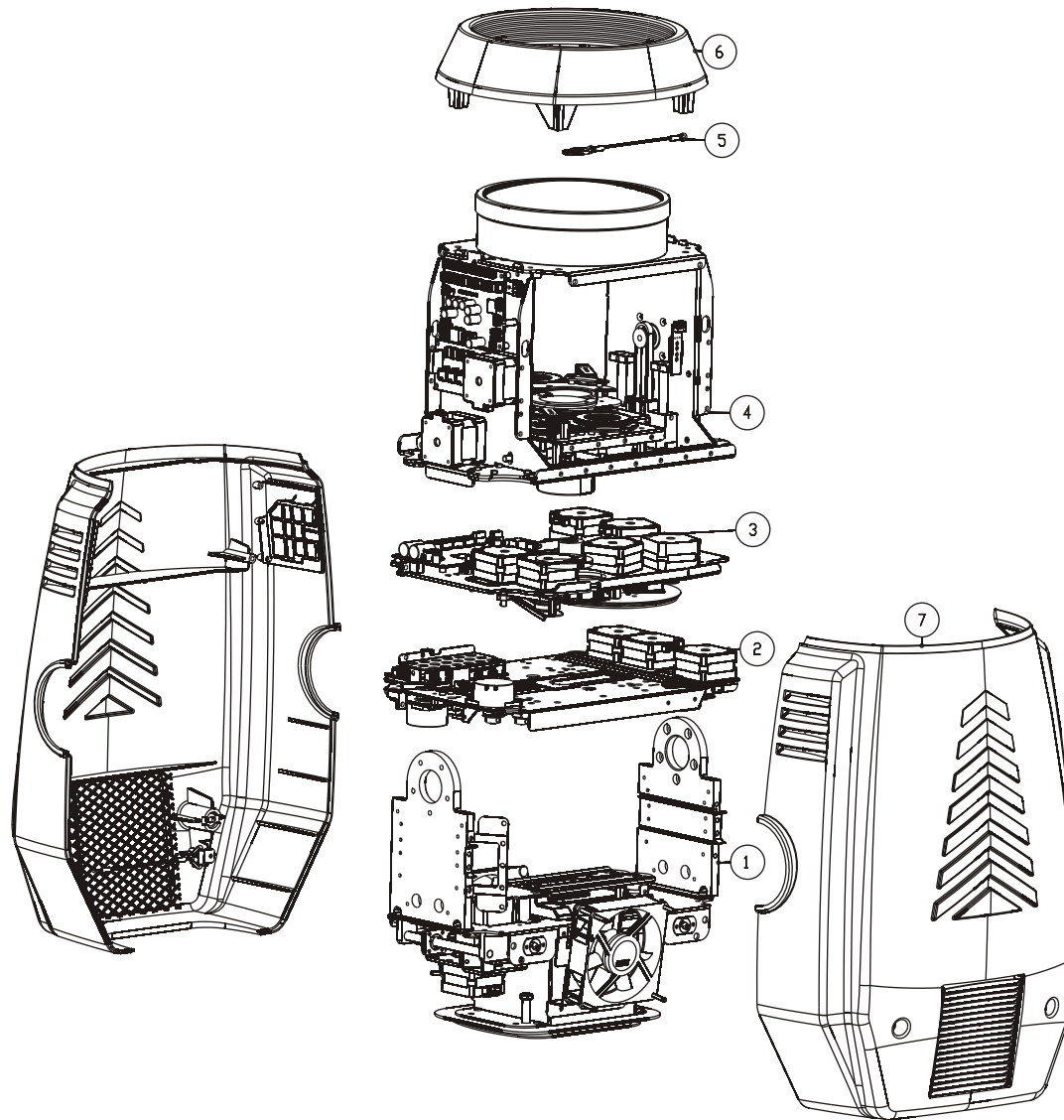


PRODUCT		EDGE			
PIC. NO.		33-0002-02-00-00			
EDIT		FILE NO.	HY-EXP-1721A	PAGE NO.	06/32
CHECK		VERSION	V206_004	DATE	2019.05.31
APPROVE		ECN NO.		DATE	

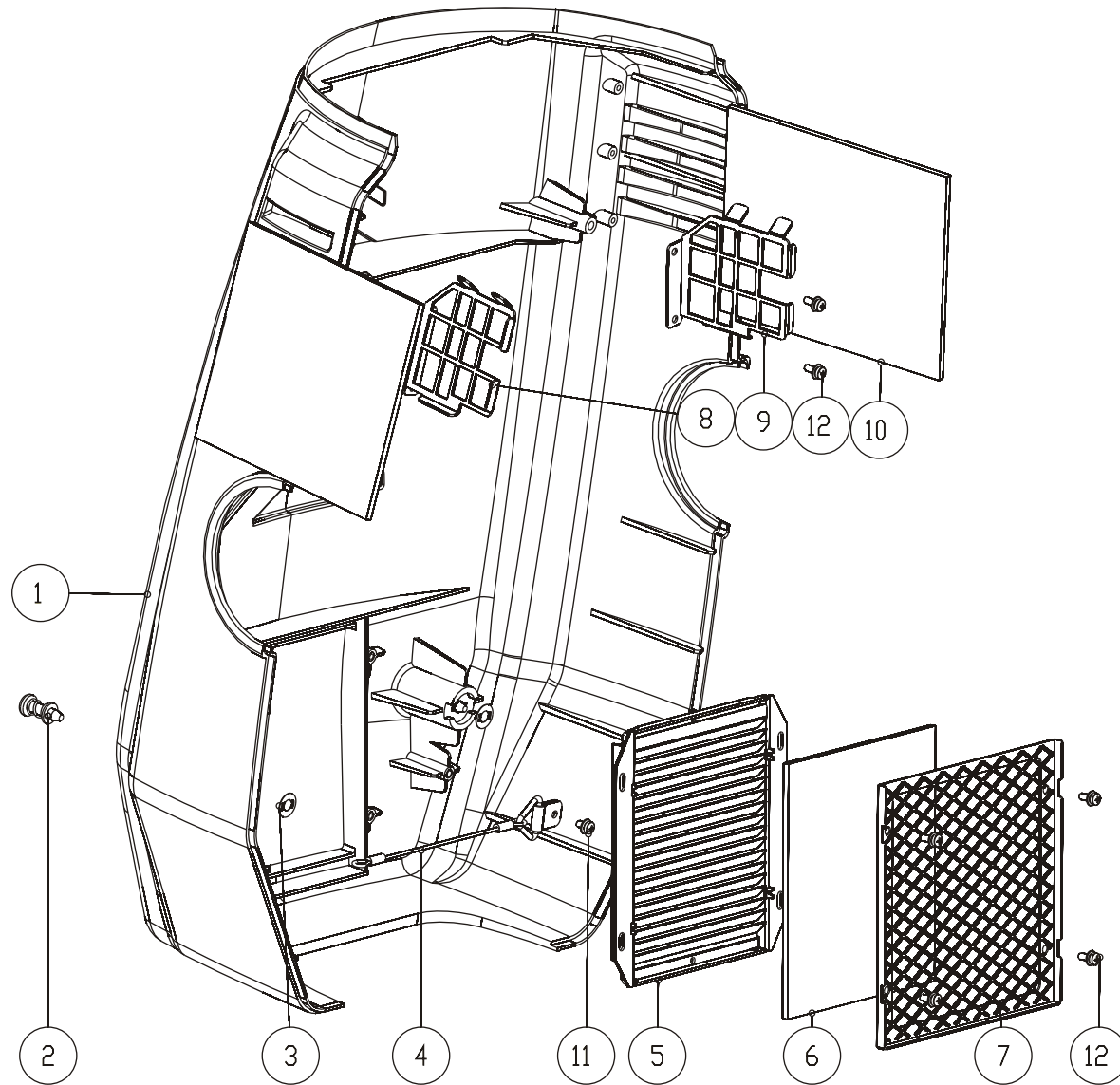


PRODUCT		EDGE			
PIC. NO.		33-0002-03-00-00			
EDIT		FILE NO.	HY-EXP-1721A	PAGE NO.	07/32
CHECK		VERSION	V206_004	DATE	2019.05.31
APPROVE		ECN NO.		DATE	

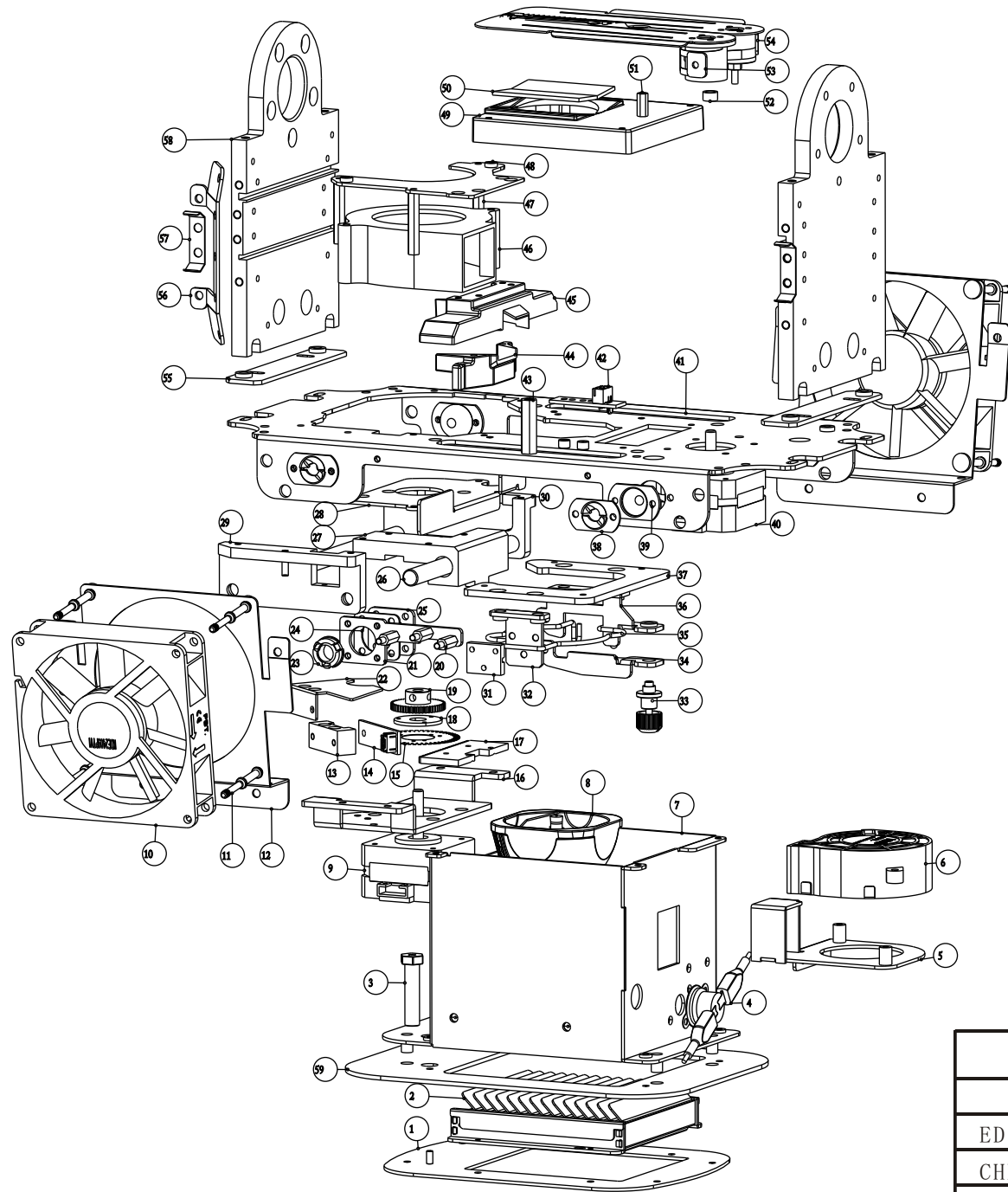




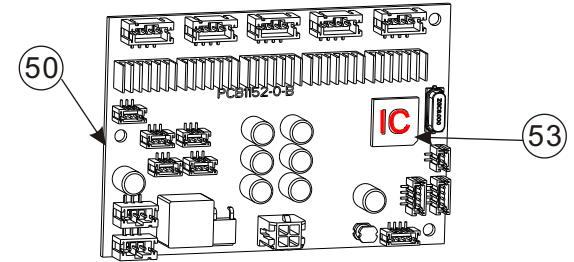
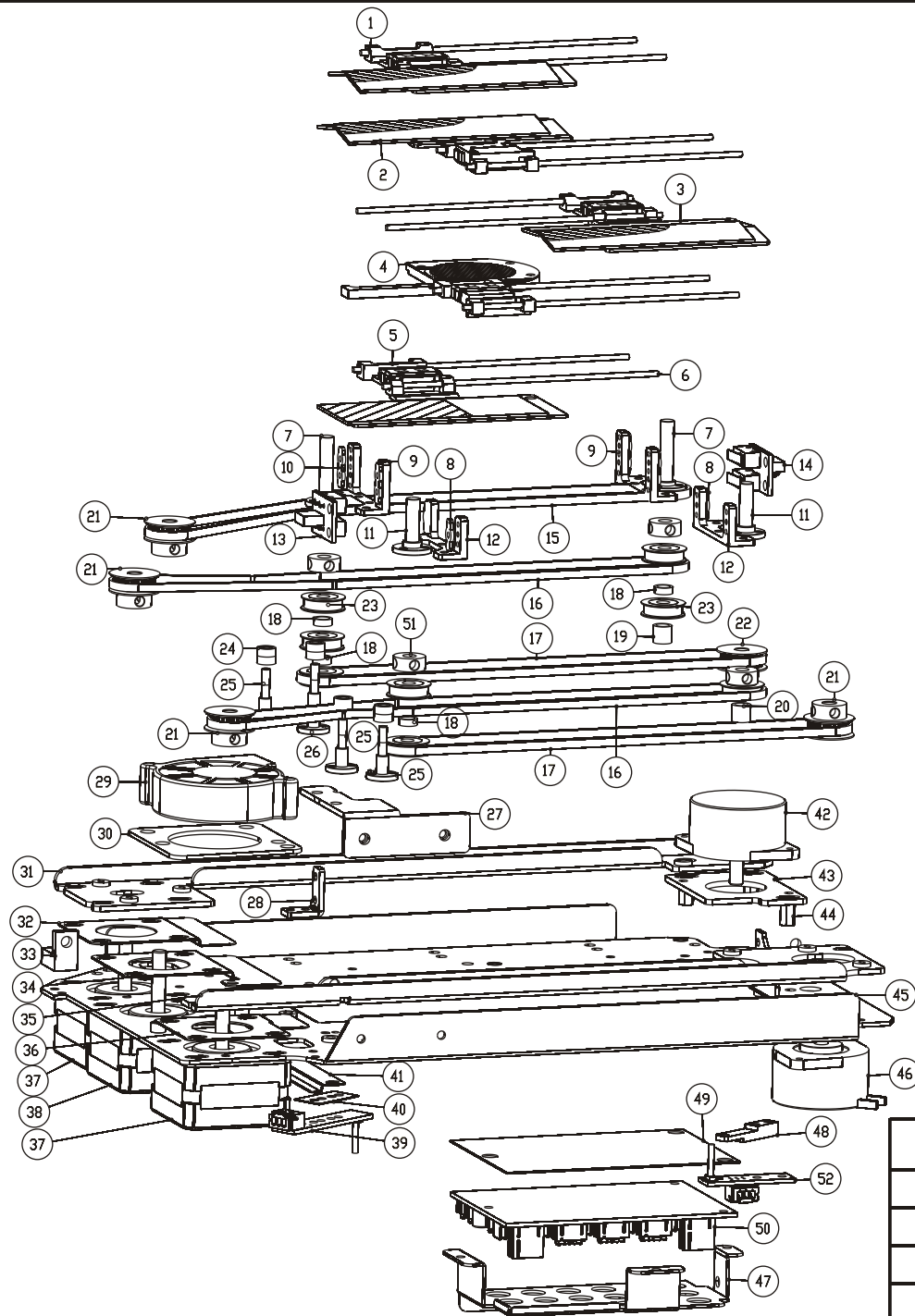
PRODUCT		EDGE			
PIC. NO.		33-0003-04-00-00			
EDIT		FILE NO.	HY-EXP-1721A	PAGE NO.	08/32
CHECK		VERSION	V206_004	DATE	2019.05.31
APPROVE		ECN NO.		DATE	



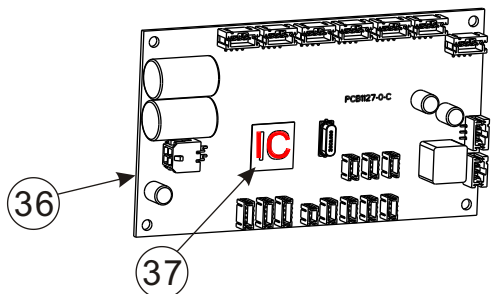
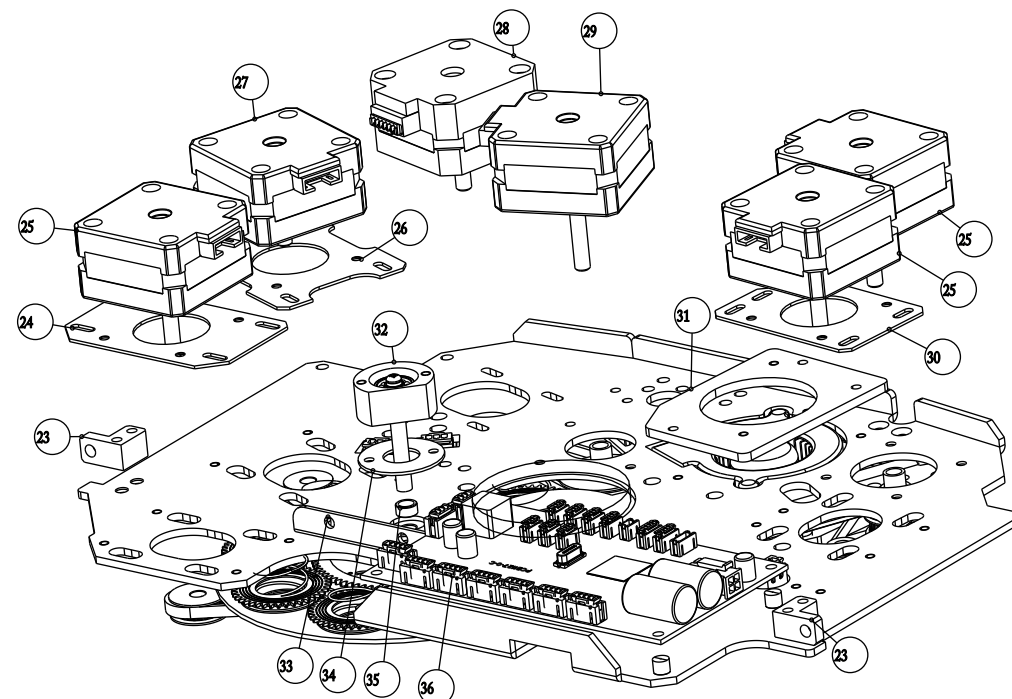
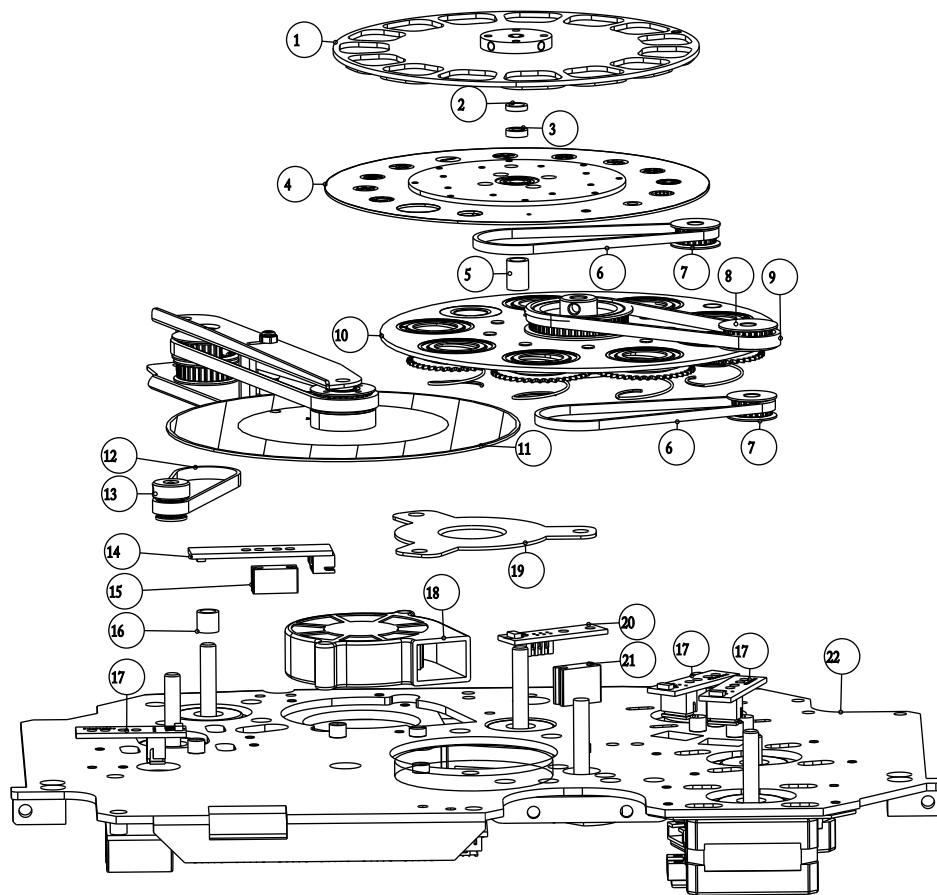
PRODUCT		EDGE			
PIC. NO.		IC12-04C-01_A00			
EDIT		FILE NO.	HY-EXP-1721A	PAGE NO.	09/32
CHECK		VERSION	V206_004	DATE	2019.05.31
APPROVE		ECN NO.		DATE	



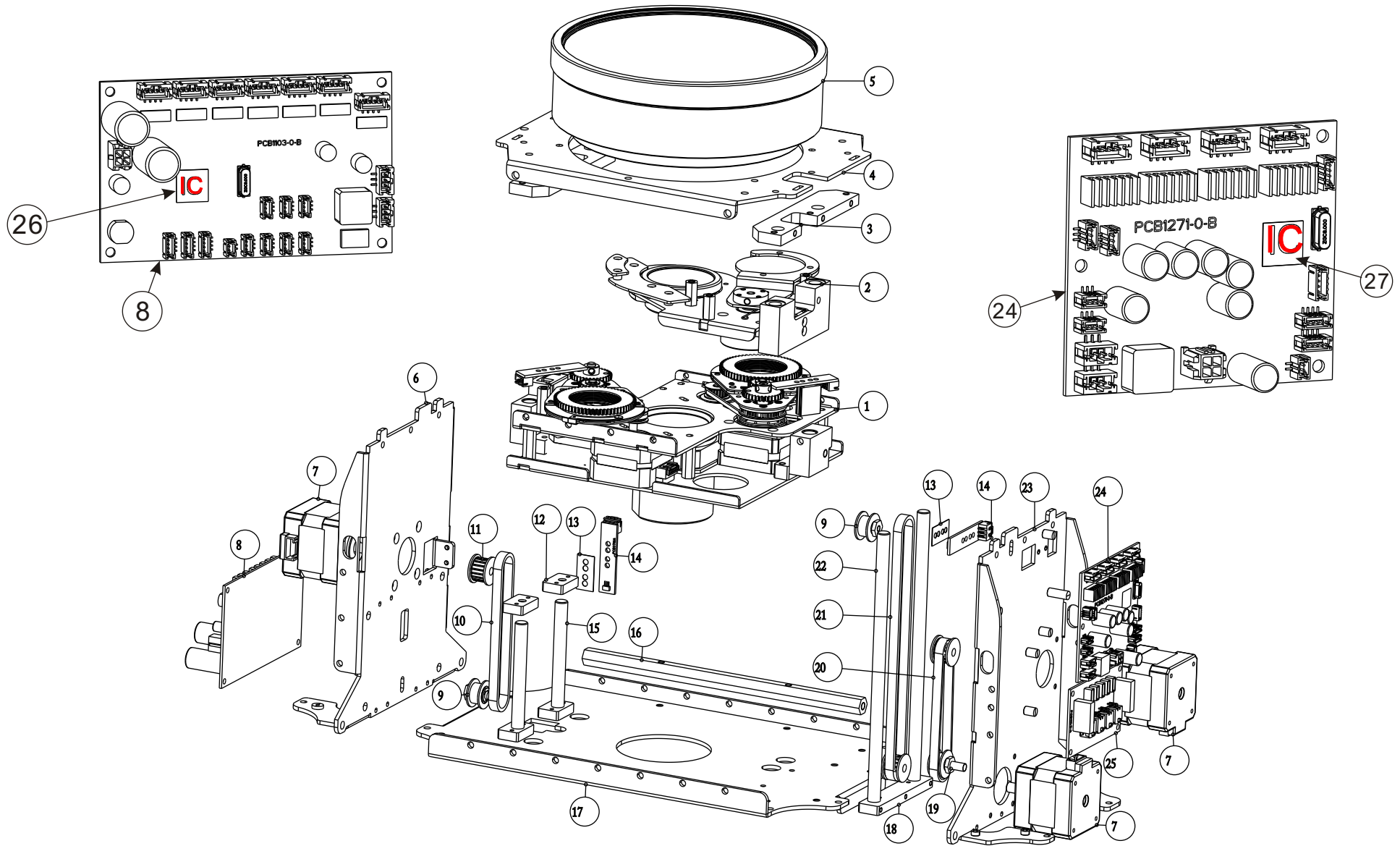
PRODUCT		EDGE			
PIC. NO.		33-0002-04-01-00			
EDIT		FILE NO.	HY-EXP-1721A	PAGE NO.	10/32
CHECK		VERSION	V206_004	DATE	2019.05.31
APPROVE		ECN NO.		DATE	



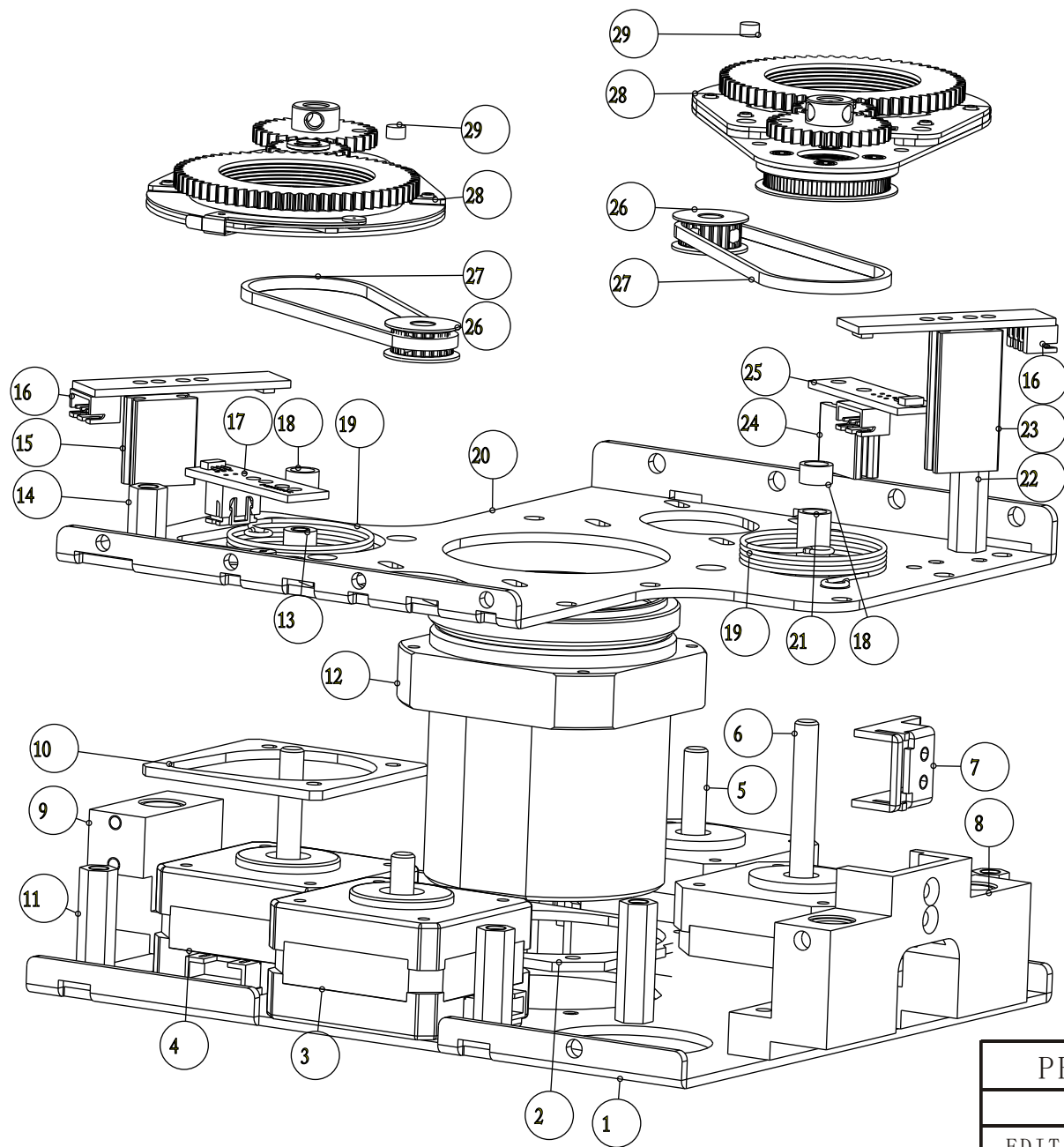
PRODUCT		EDGE			
PIC. NO.		33-0003-04-02-00			
EDIT		FILE NO.	HY-EXP-1721A	PAGE NO.	11/32
CHECK		VERSION	V206_004	DATE	2019.05.31
APPROVE		ECN NO.		DATE	



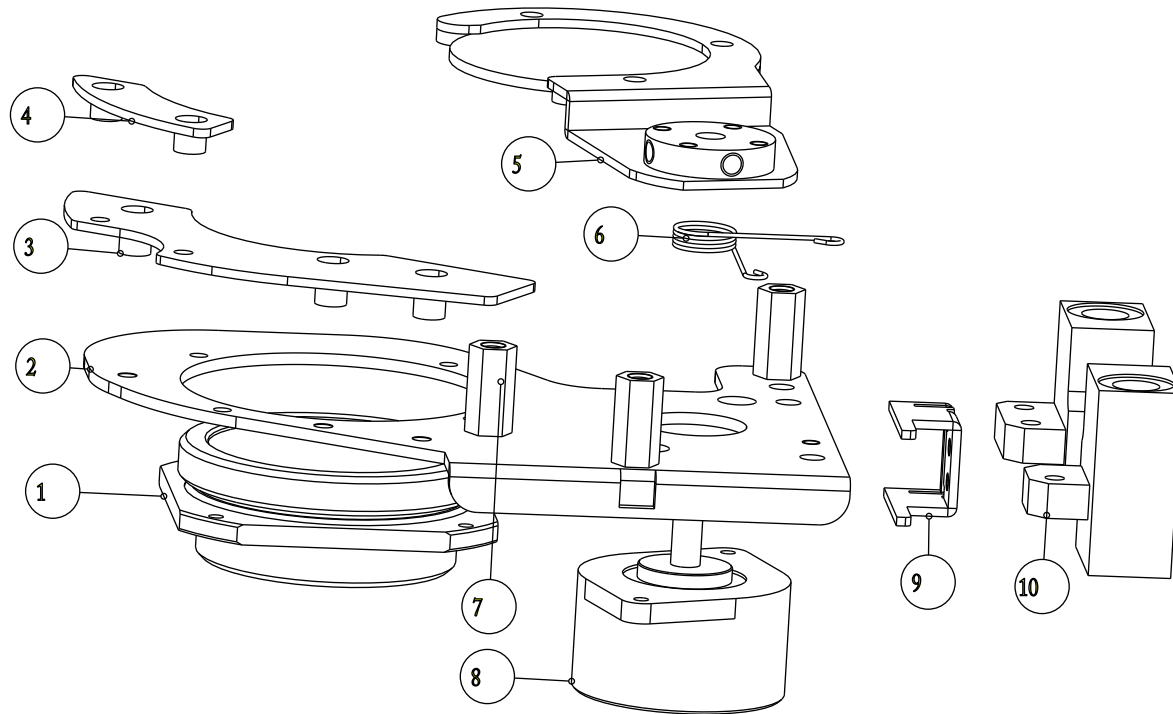
PRODUCT		EDGE			
PIC. NO.		33-0003-04-03-00			
EDIT		FILE NO.	HY-EXP-1721A	PAGE NO.	12/32
CHECK		VERSION	V206_004	DATE	2019. 05. 31
APPROVE		ECN NO.		DATE	



PRODUCT		EDGE			
PIC. NO.		33-0002-04-04-00			
EDIT		FILE NO.	HY-EXP-1721A	PAGE NO.	13/32
CHECK		VERSION	V206_004	DATE	2019. 05. 31
APPROVE		ECN NO.		DATE	

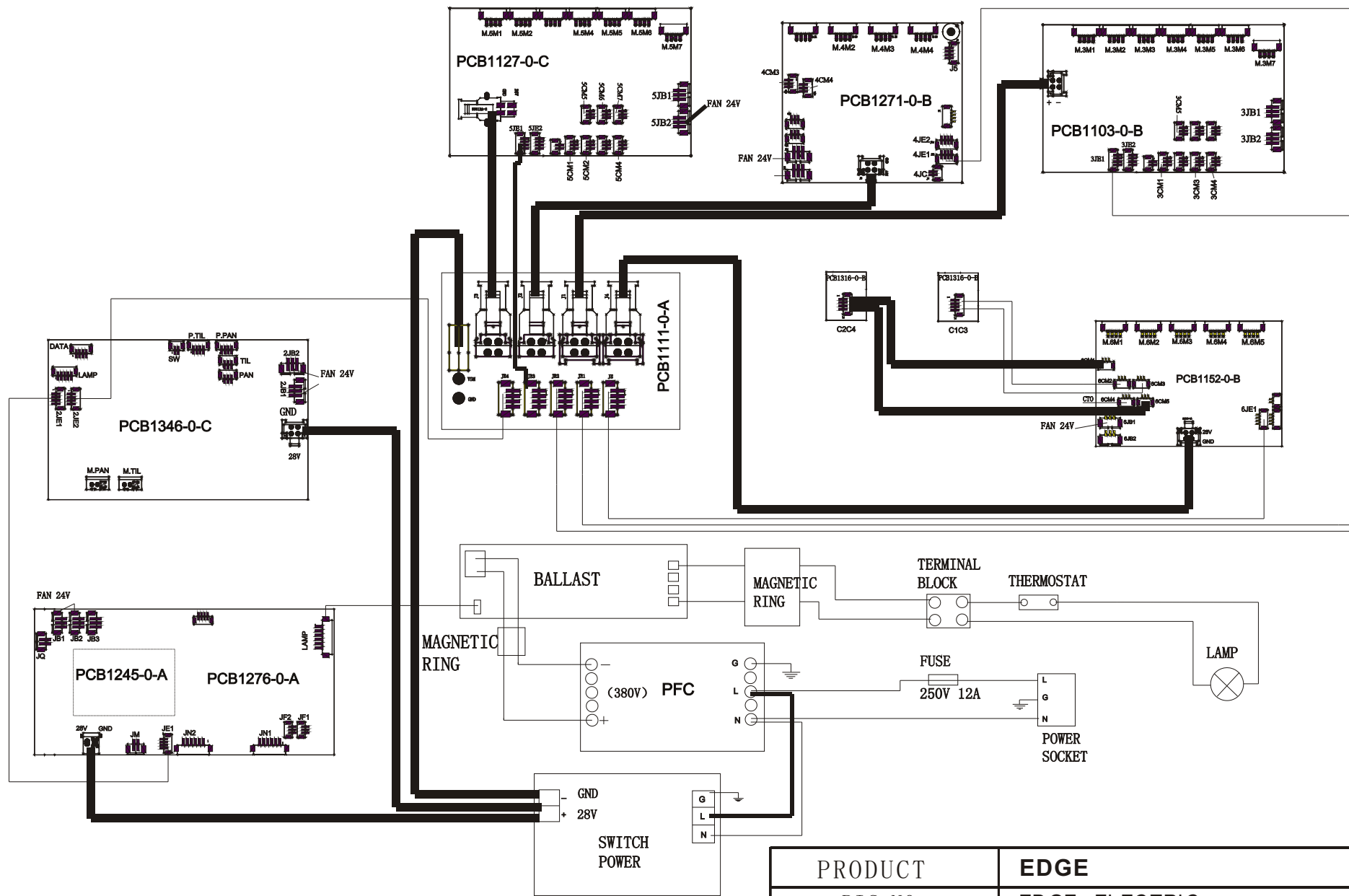


PRODUCT		EDGE			
PIC. NO.		33-0002-04-04-01			
EDIT		FILE NO.	HY-EXP-1721A	PAGE NO.	14/32
CHECK		VERSION	V206_004	DATE	2019. 05. 31
APPROVE		ECN NO.		DATE	

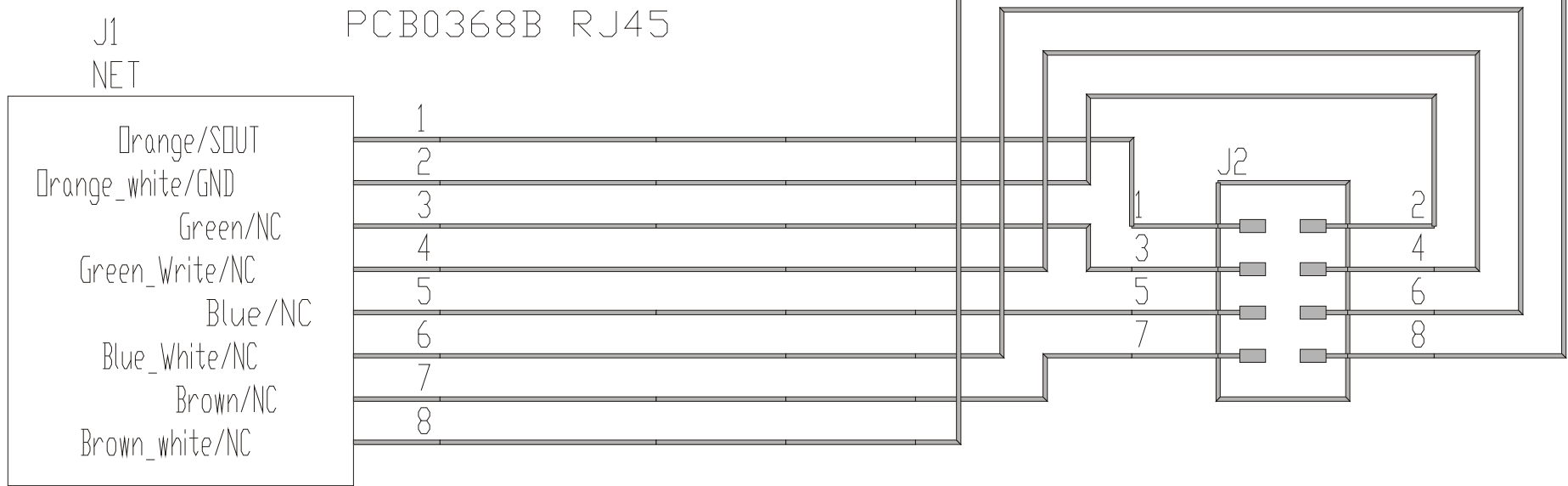


PRODUCT		EDGE			
PIC. NO.		33-0002-04-04-02			
EDIT		FILE NO.	HY-EXP-1721A	PAGE NO.	15/32
CHECK		VERSION	V206_004	DATE	2019. 05. 31
APPROVE		ECN NO.		DATE	





PRODUCT		EDGE			
PIC. NO.		EDGE ELECTRIC			
EDIT		FILE NO.	HY-WIJL-389	PAGE NO.	16/32
CHECK		VERSION	NR	DATE	2019. 05. 31
APPROVE		ECN NO.		DATE	

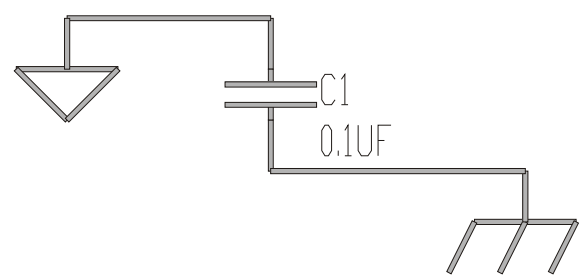


PCB0368B RJ45

J1  
NET

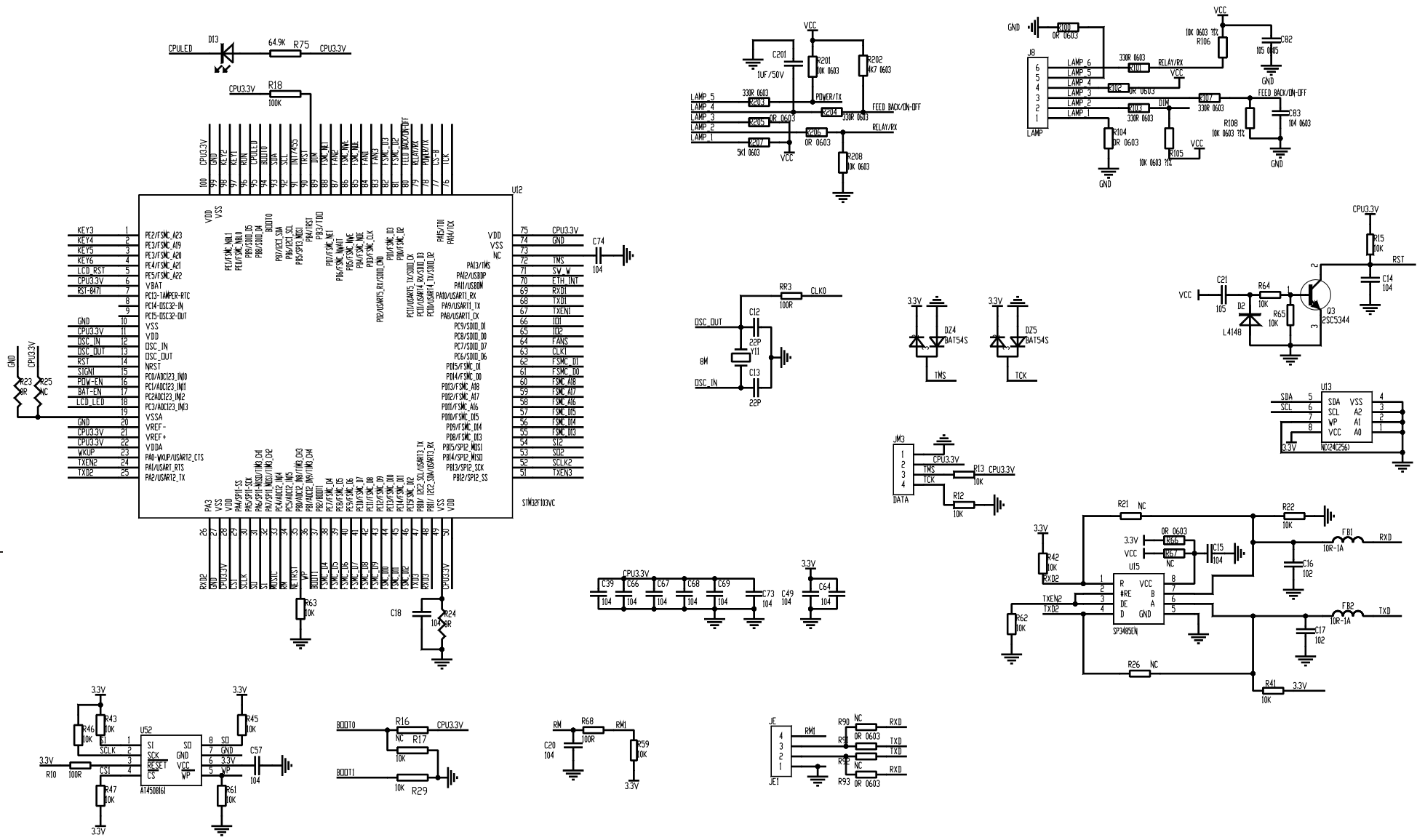
J2

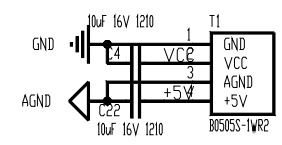
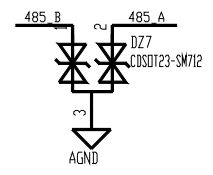
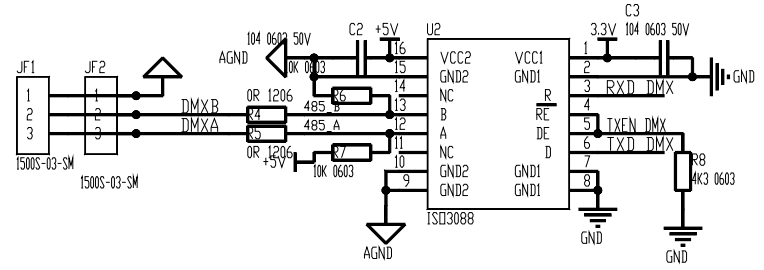
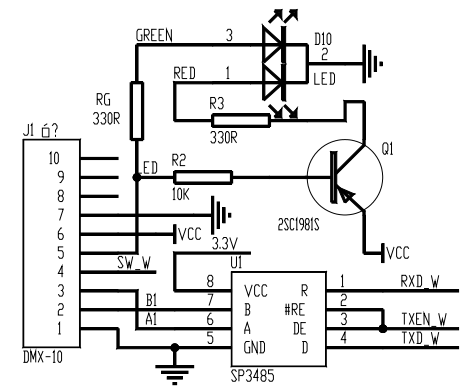
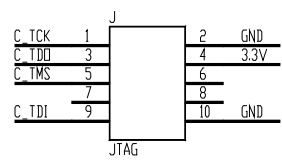
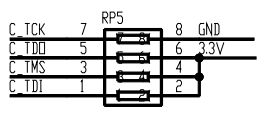
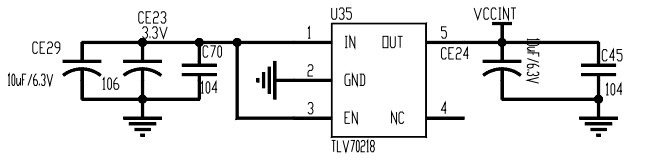
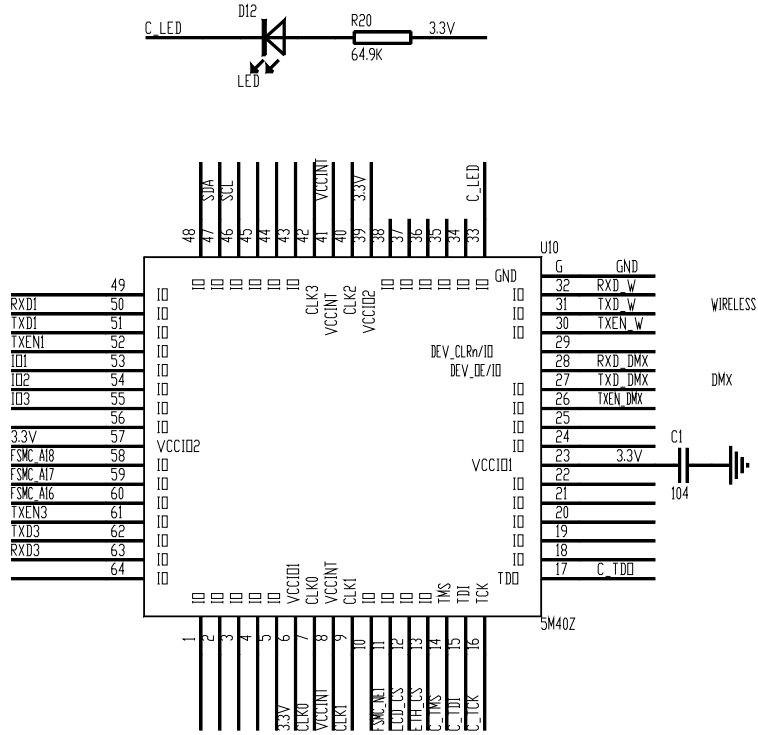
R1-R4 0R/0805



PRODUCT		EDGE			
PIC. NO.		PCB0368B SCHEME			
EDIT		FILE NO.	HY-WIEC-0480	PAGE NO.	19/32
CHECK		VERSION	NR	DATE	2019. 05. 31
APPROVE		ECN NO.		DATE	

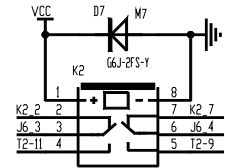
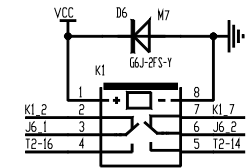
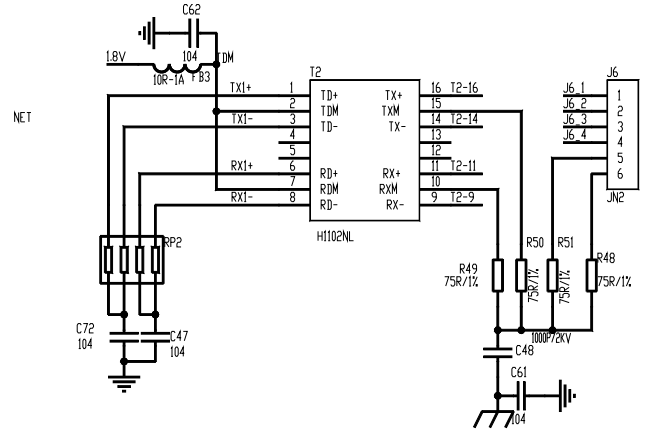
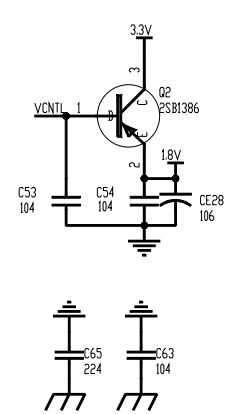
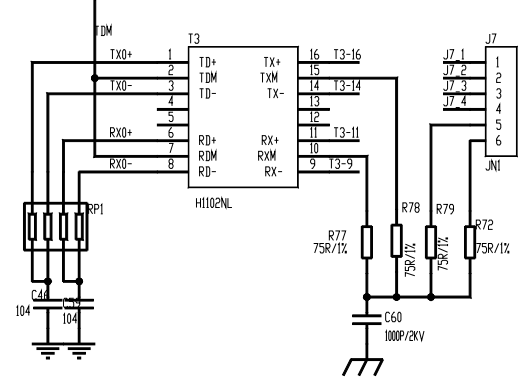
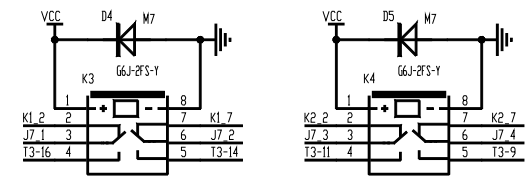
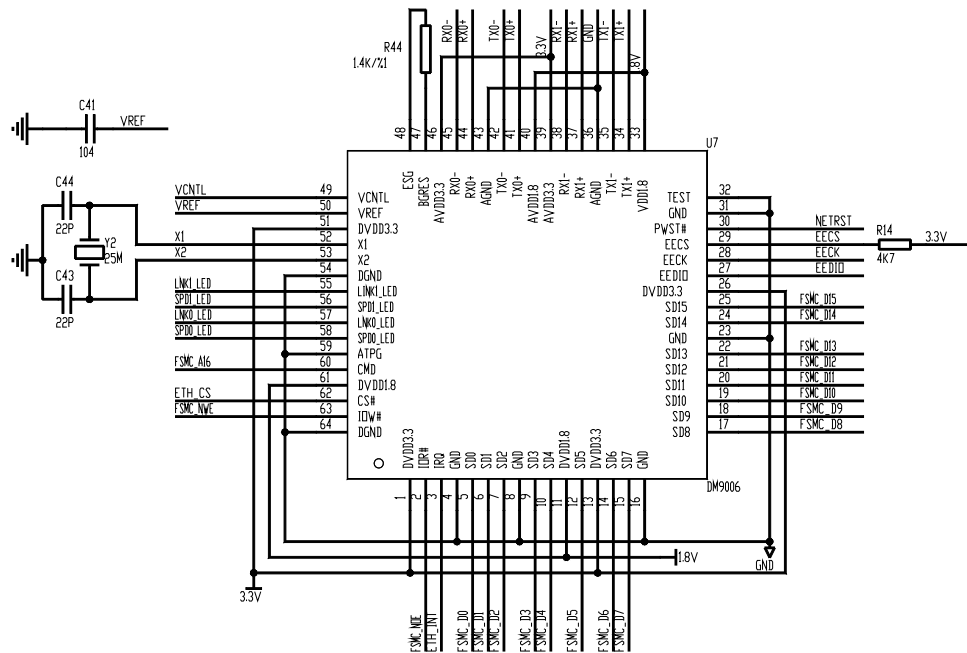




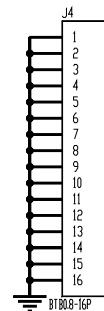
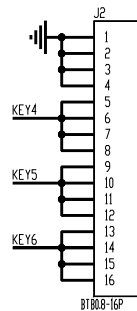
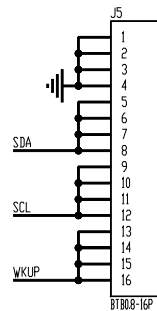
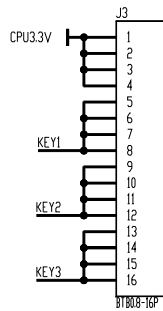
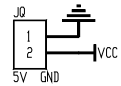
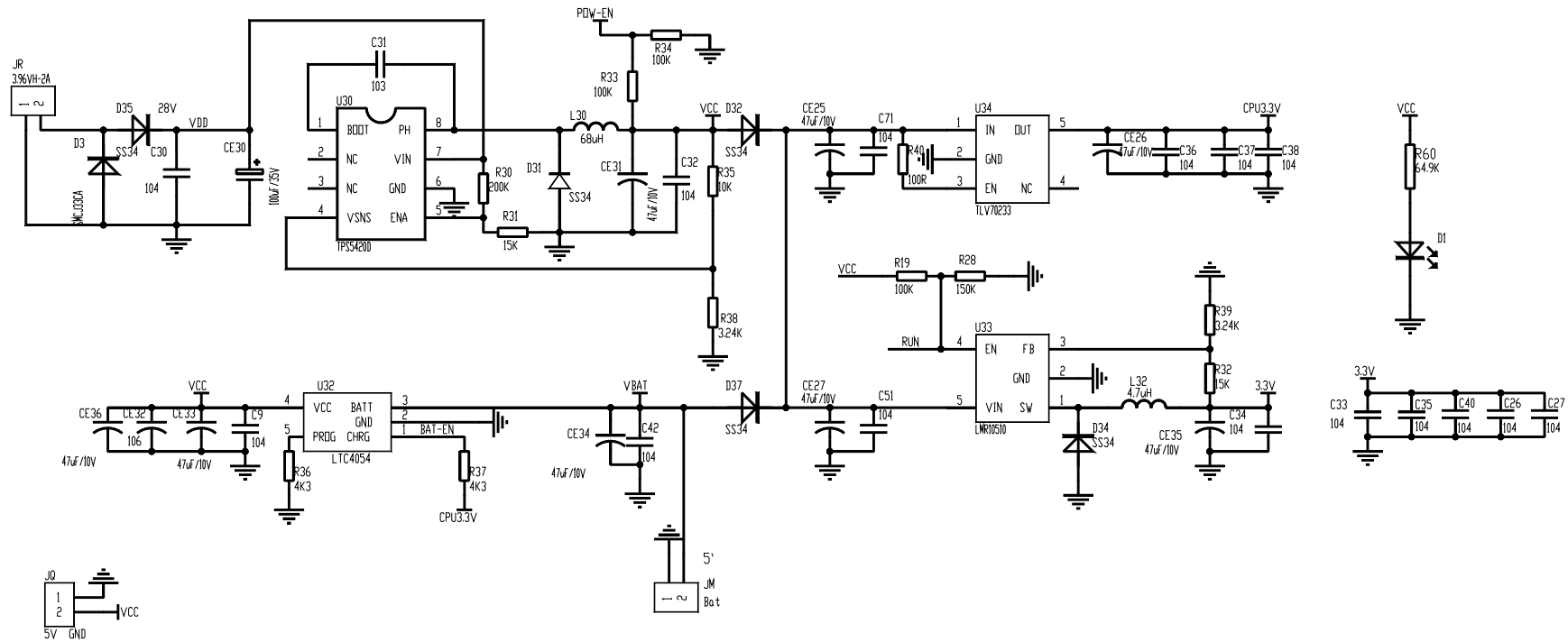


PRODUCT		EDGE			
PIC. NO.		PCB1276-0-A SCHEME (2/5)			
EDIT		FILE NO.	HY-WIEC-1513	PAGE NO.	20/32
CHECK		VERSION	NR	DATE	2019. 05. 31
APPROVE		ECN NO.		DATE	



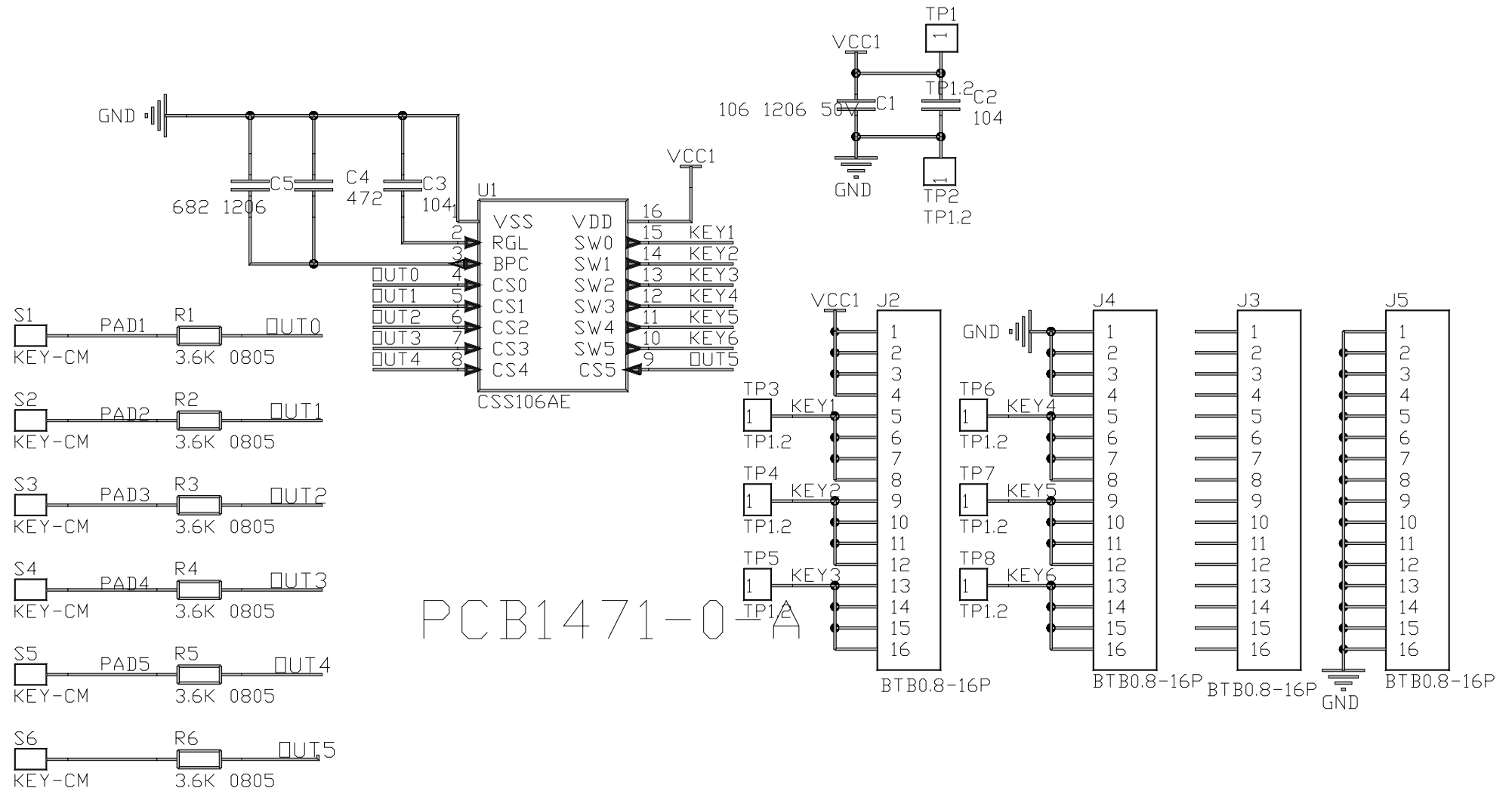


PRODUCT		EDGE			
PIC. NO.		PCB1276-0-A SCHEME (4/5)			
EDIT		FILE NO.	HY-WIEC-1513	PAGE NO.	22/33
CHECK		VERSION	NR	DATE	2019. 05. 31
APPROVE		ECN NO.		DATE	



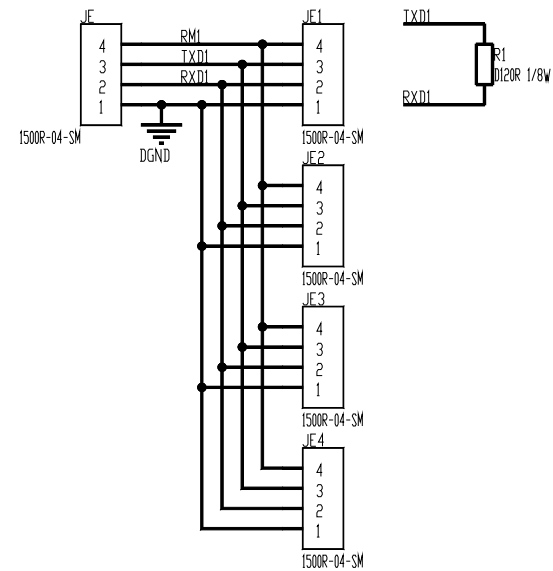
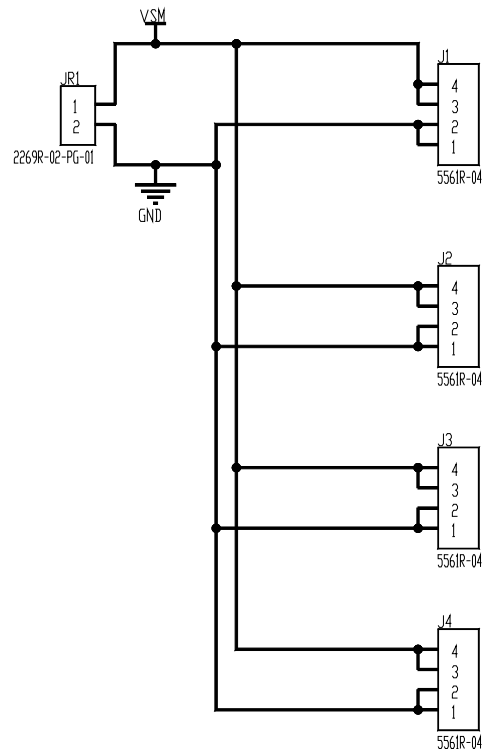
PRODUCT		EDGE			
PIC. NO.		PCB1276-0-A SCHEME (5/5)			
EDIT		FILE NO.	HY-WIEC-1513	PAGE NO.	23/32
CHECK		VERSION	NR	DATE	2019. 05. 31
APPROVE		ECN NO.		DATE	



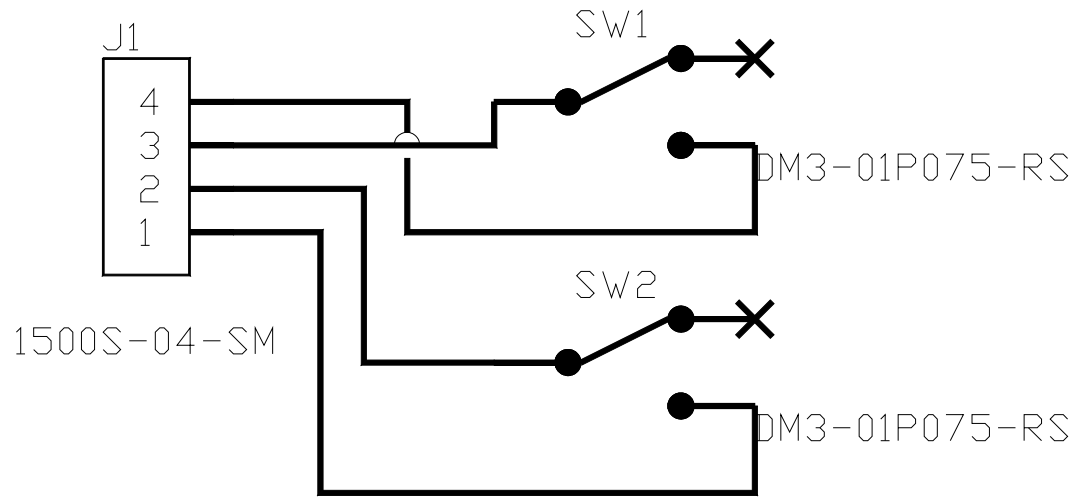


PCB1471-0-A

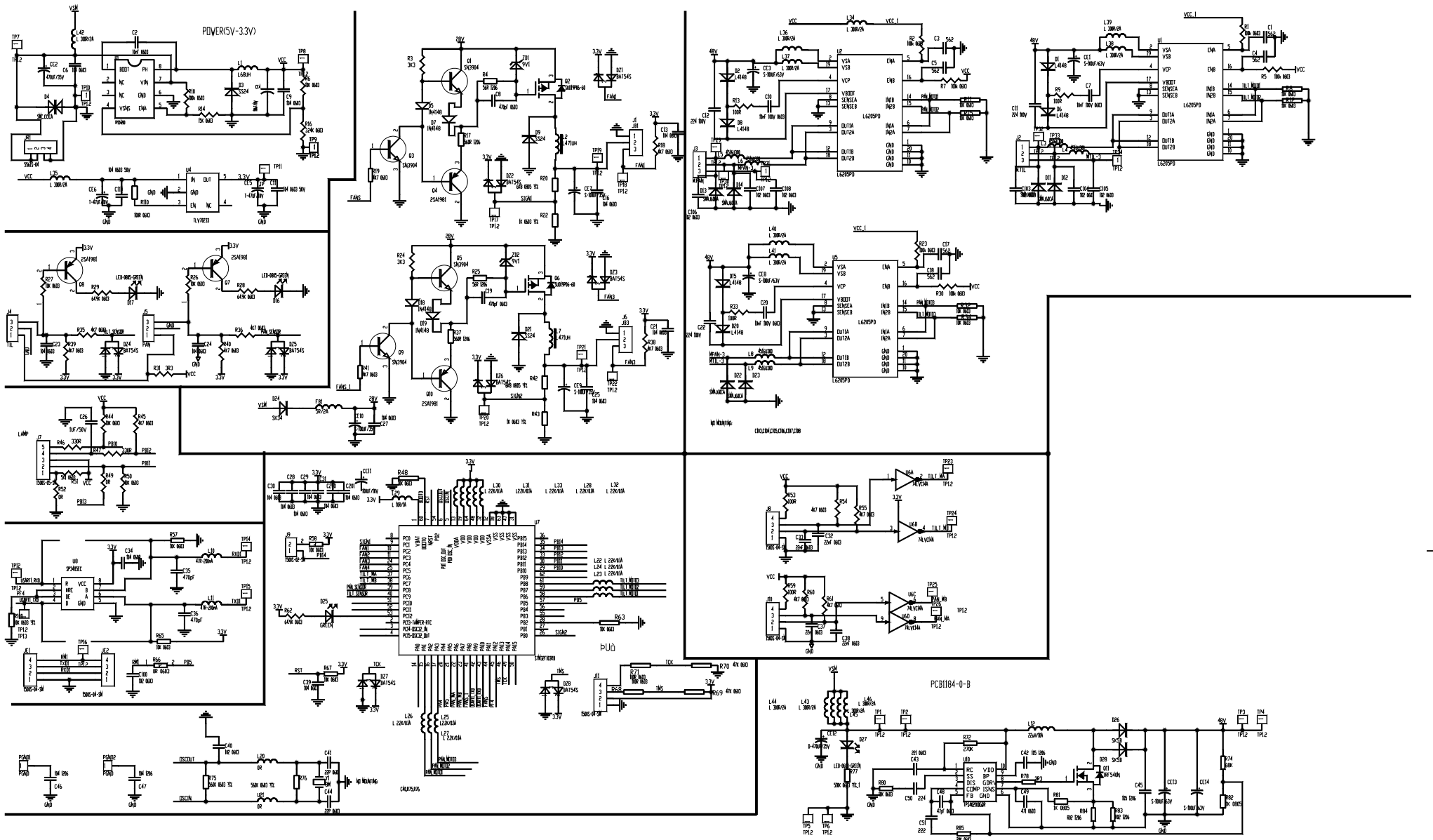
PRODUCT		EDGE			
PIC. NO.		PCB1471-0-A SCHEME			
EDIT		FILE NO.	HY-WIEC-1743	PAGE NO.	24/32
CHECK		VERSION	NR	DATE	2019.05.31
APPROVE		ECN NO.		DATE	



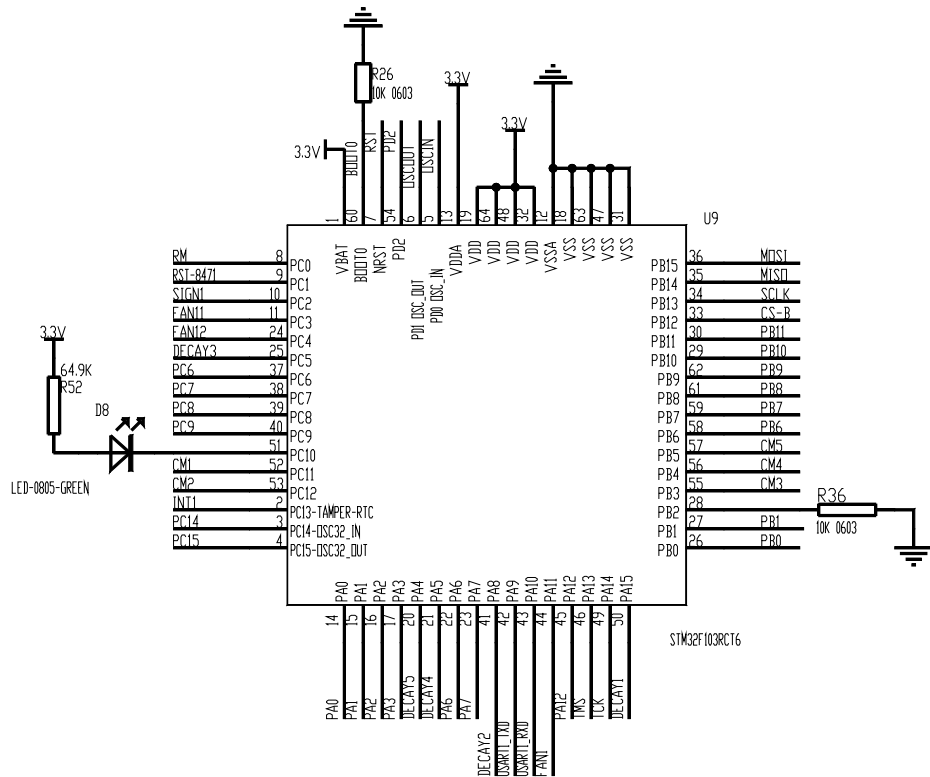
PRODUCT		EDGE			
PIC. NO.		PCB1111-0-A SCHEME			
EDIT		FILE NO.	HY-WIEC-1340	PAGE NO.	25/32
CHECK		VERSION	NR	DATE	2019. 05. 31
APPROVE		ECN NO.		DATE	



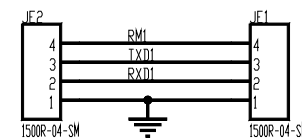
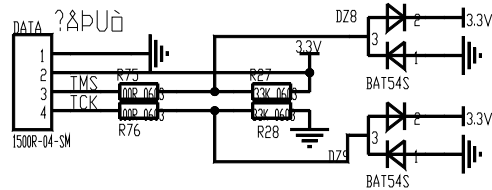
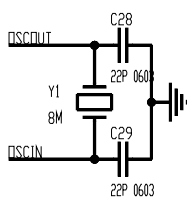
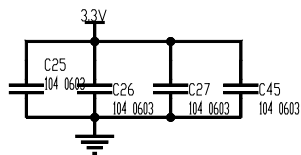
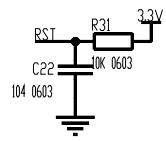
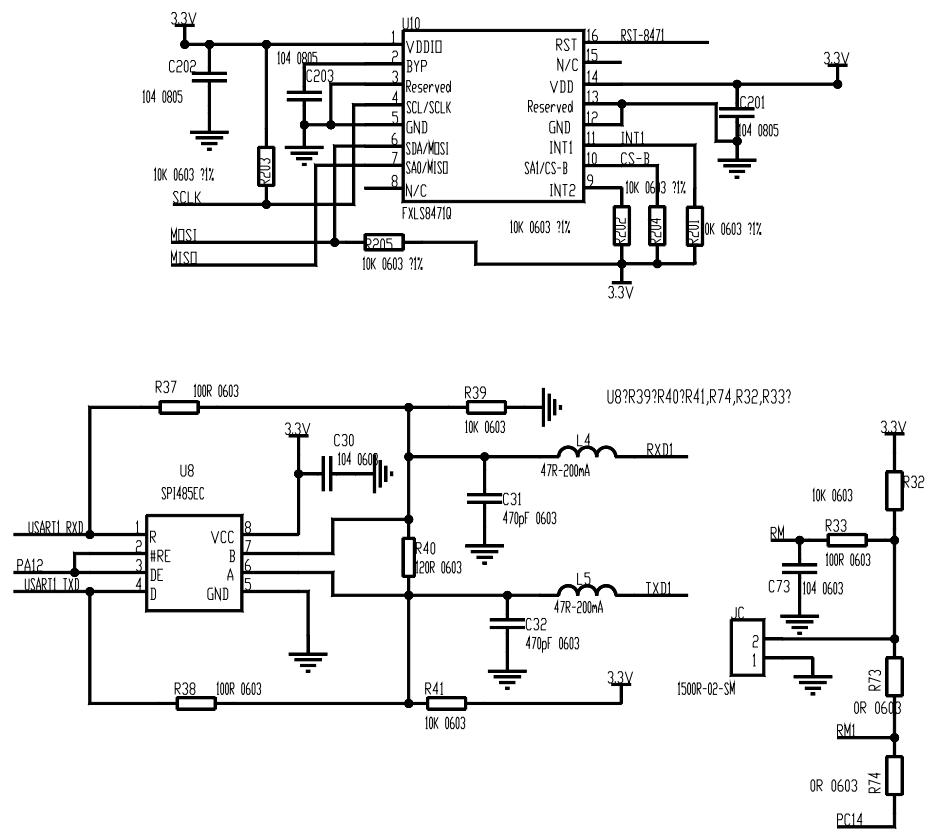
PRODUCT		EDGE			
PIC. NO.		PCB1316-0-B SCHEME			
EDIT		FILE NO.	HY-WIEC-1655	PAGE NO.	26/32
CHECK		VERSION	NR	DATE	2019. 05. 31
APPROVE		ECN NO.		DATE	



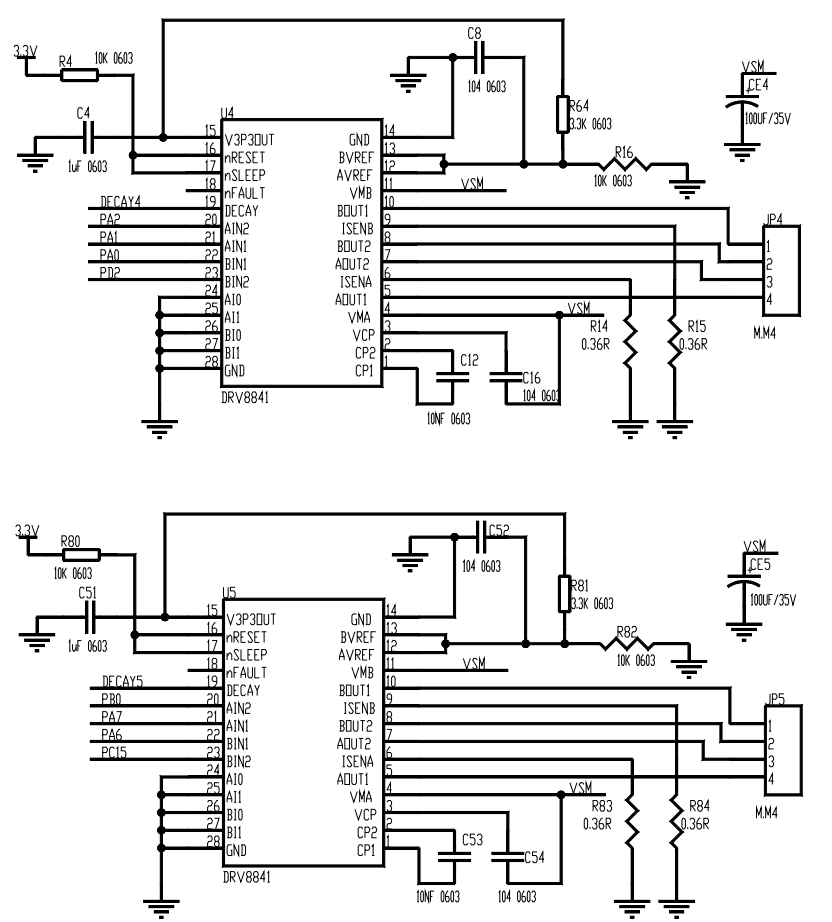
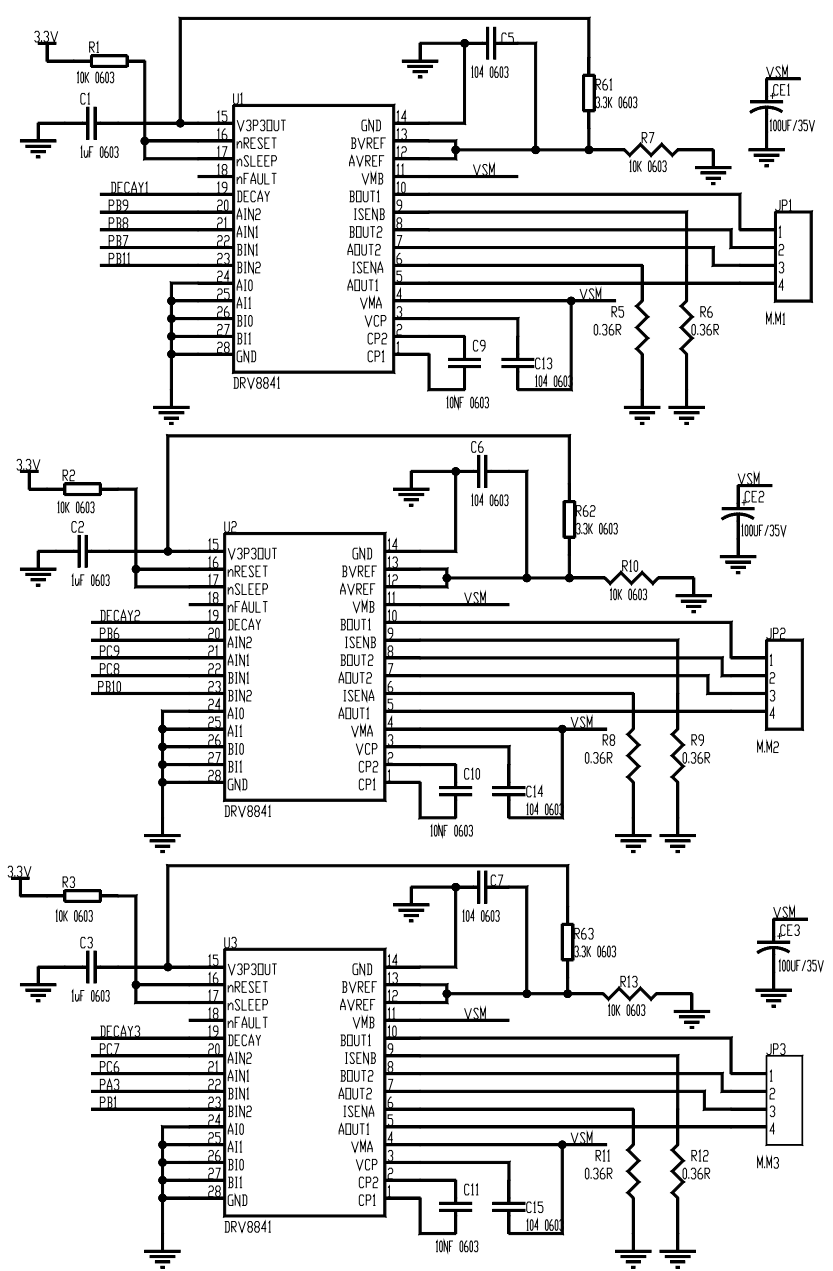
PRODUCT		EDGE		
PIC. NO.		PCB1346-0-C SCHEME		
EDIT		FILE NO.	HY-WIEC-1600	PAGE NO. 27/32
CHECK		VERSION	NR	DATE 2019. 05. 31
APPROVE		ECN NO.		DATE



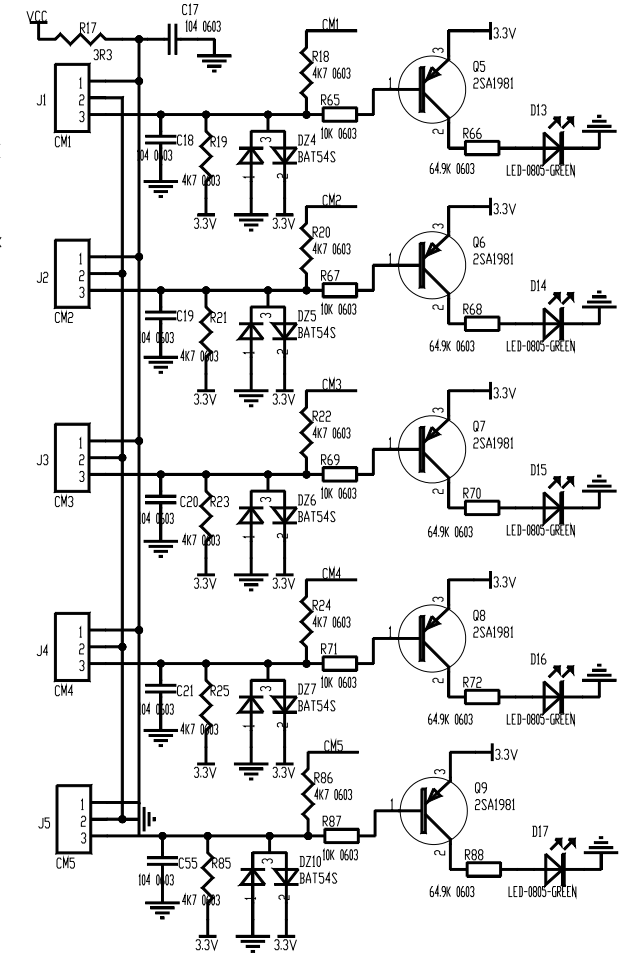
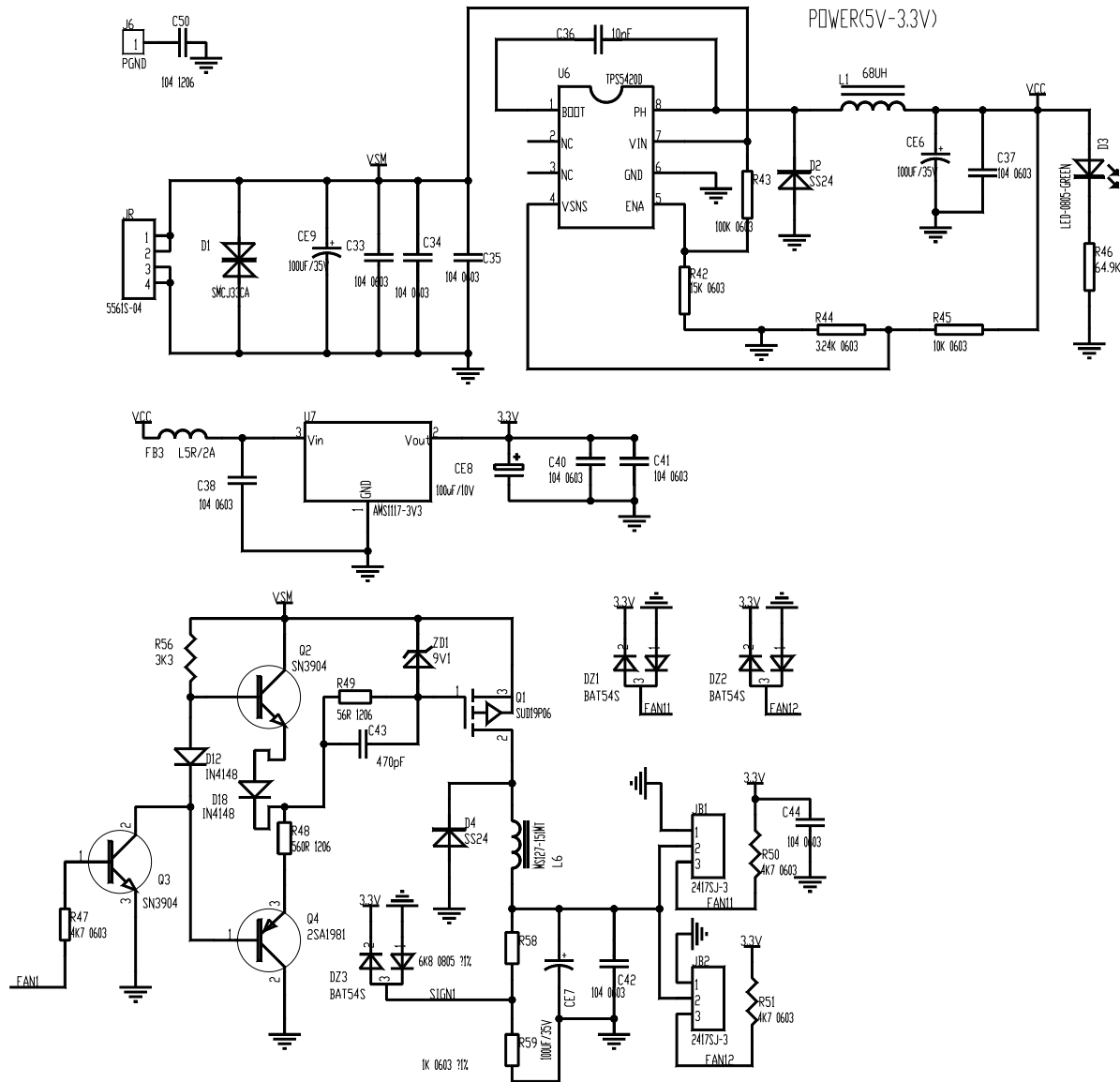
PCB1152-0-B



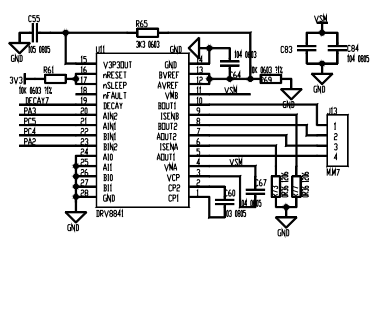
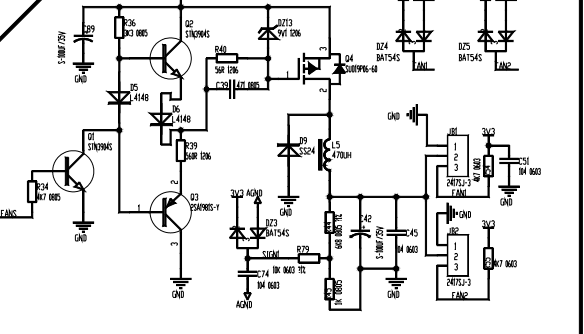
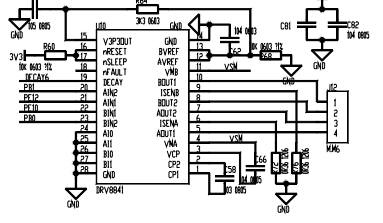
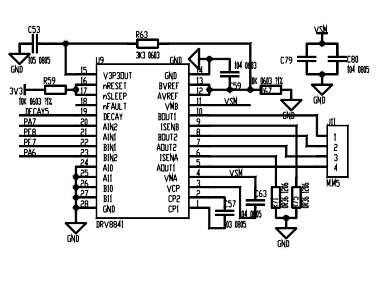
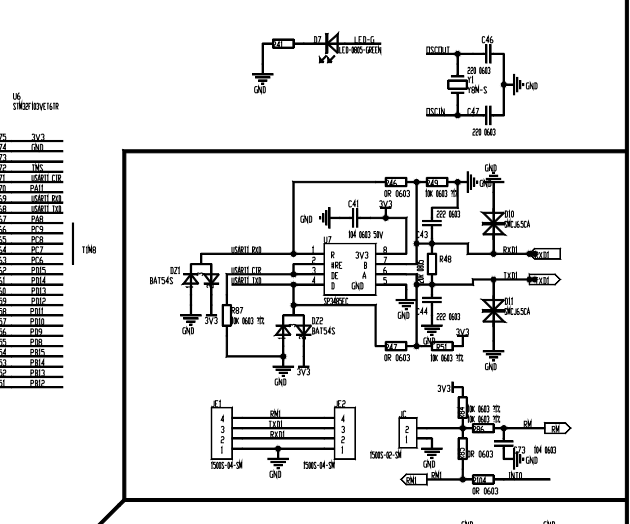
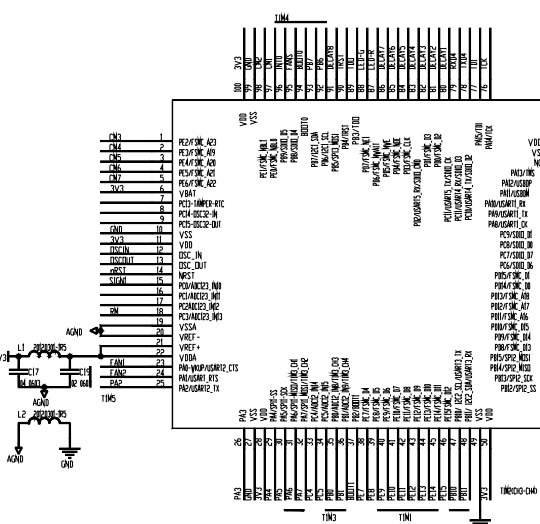
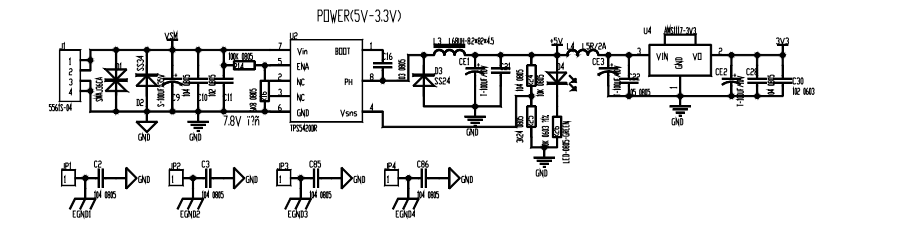
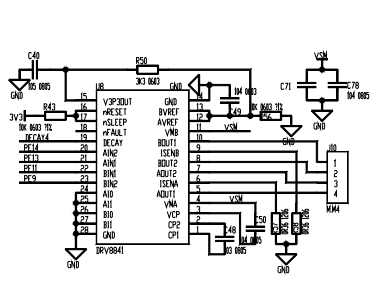
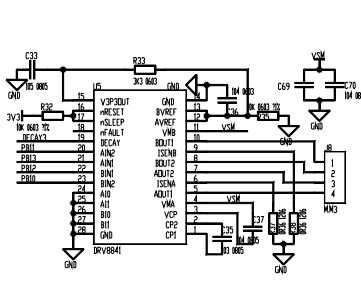
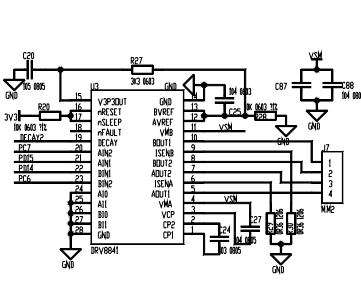
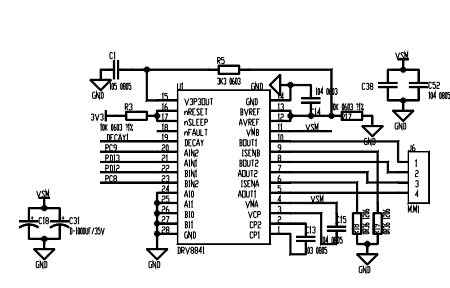
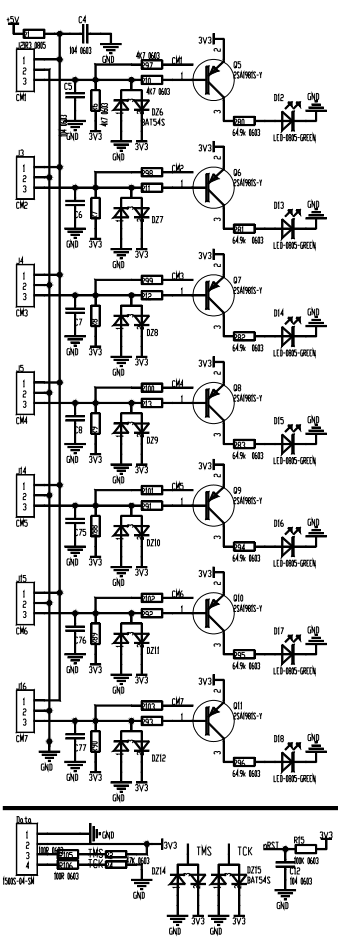
PRODUCT		EDGE			
PIC. NO.		PCB1152-0-B SCHEME (1/3)			
EDIT		FILE NO.	HY-WIEC-1393	PAGE NO.	28/32
CHECK		VERSION	NR	DATE	2019. 05. 31
APPROVE		ECN NO.		DATE	



PRODUCT		EDGE			
PIC. NO.		PCB1152-0-B SCHEME (2/3)			
EDIT		FILE NO.	HY-WIEC-1393	PAGE NO.	29/32
CHECK		VERSION	NR	DATE	2019. 05. 31
APPROVE		ECN NO.		DATE	

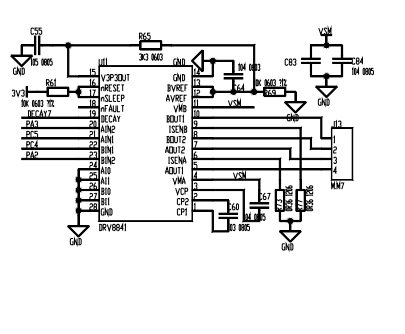
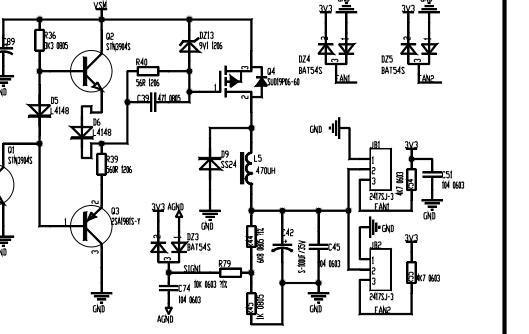
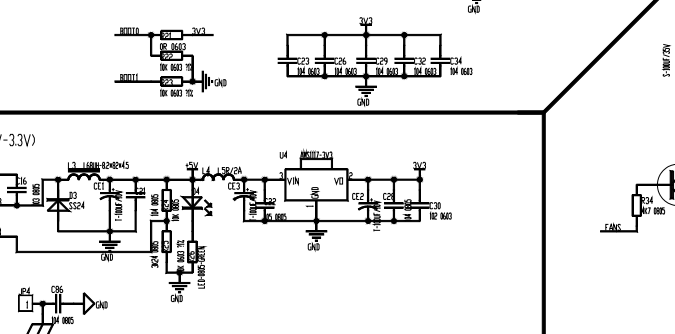
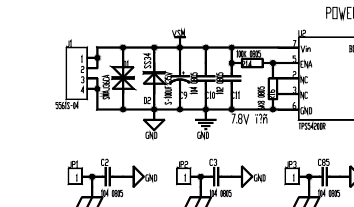
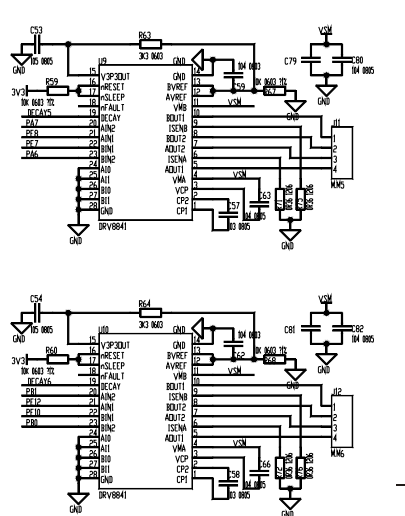
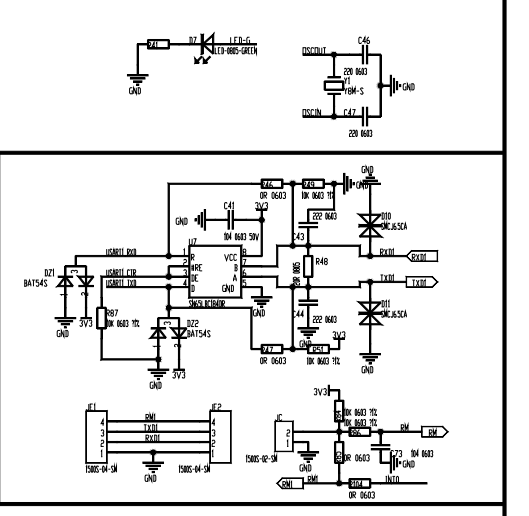
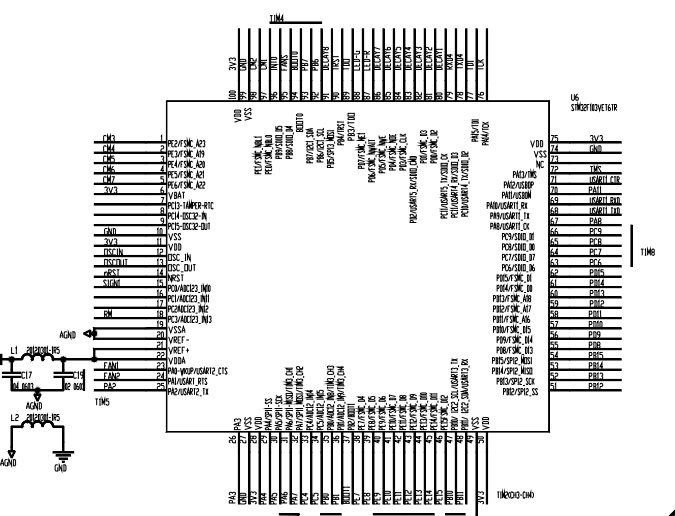
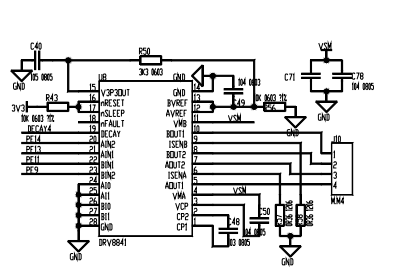
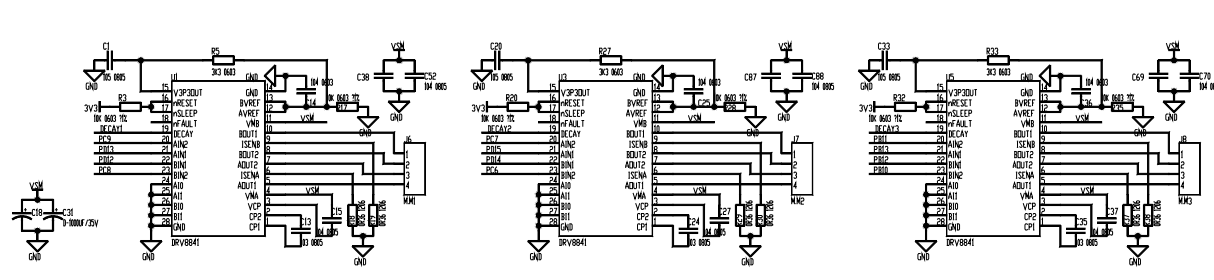
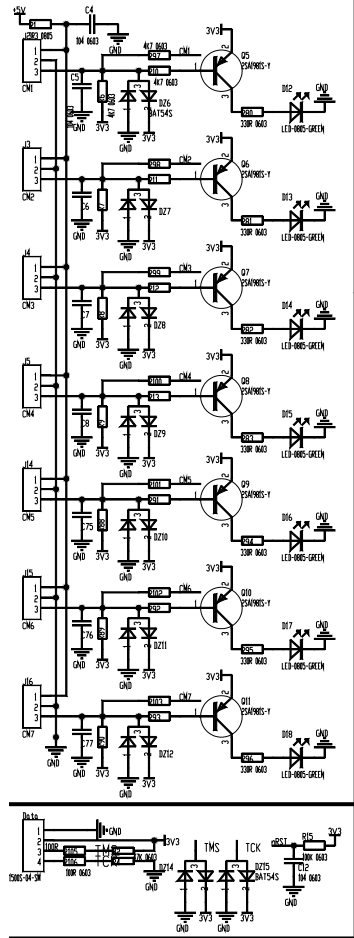


PRODUCT		EDGE			
PIC. NO.		PCB1152-0-B SCHEME (3/3)			
EDIT		FILE NO.	HY-WIEC-1393	PAGE NO.	30/32
CHECK		VERSION	NR	DATE	2019. 05. 31
APPROVE		ECN NO.		DATE	



PRODUCT	EDGE				
PIC. NO.	PCB1127-0-C SCHEME				
EDIT	FILE NO.	HY-WIEC-1500	PAGE NO.	31/32	
CHECK	VERSION	NR	DATE	2019. 05. 31	
APPROVE	ECN NO.		DATE		





PRODUCT		EDGE			
PIC. NO.		PCB1103-0-B SCHEME			
EDIT		FILE NO.	HY-WIEC-1389	PAGE NO.	32/32
CHECK		VERSION	NR	DATE	2019. 05. 31
APPROVE		ECN NO.		DATE	